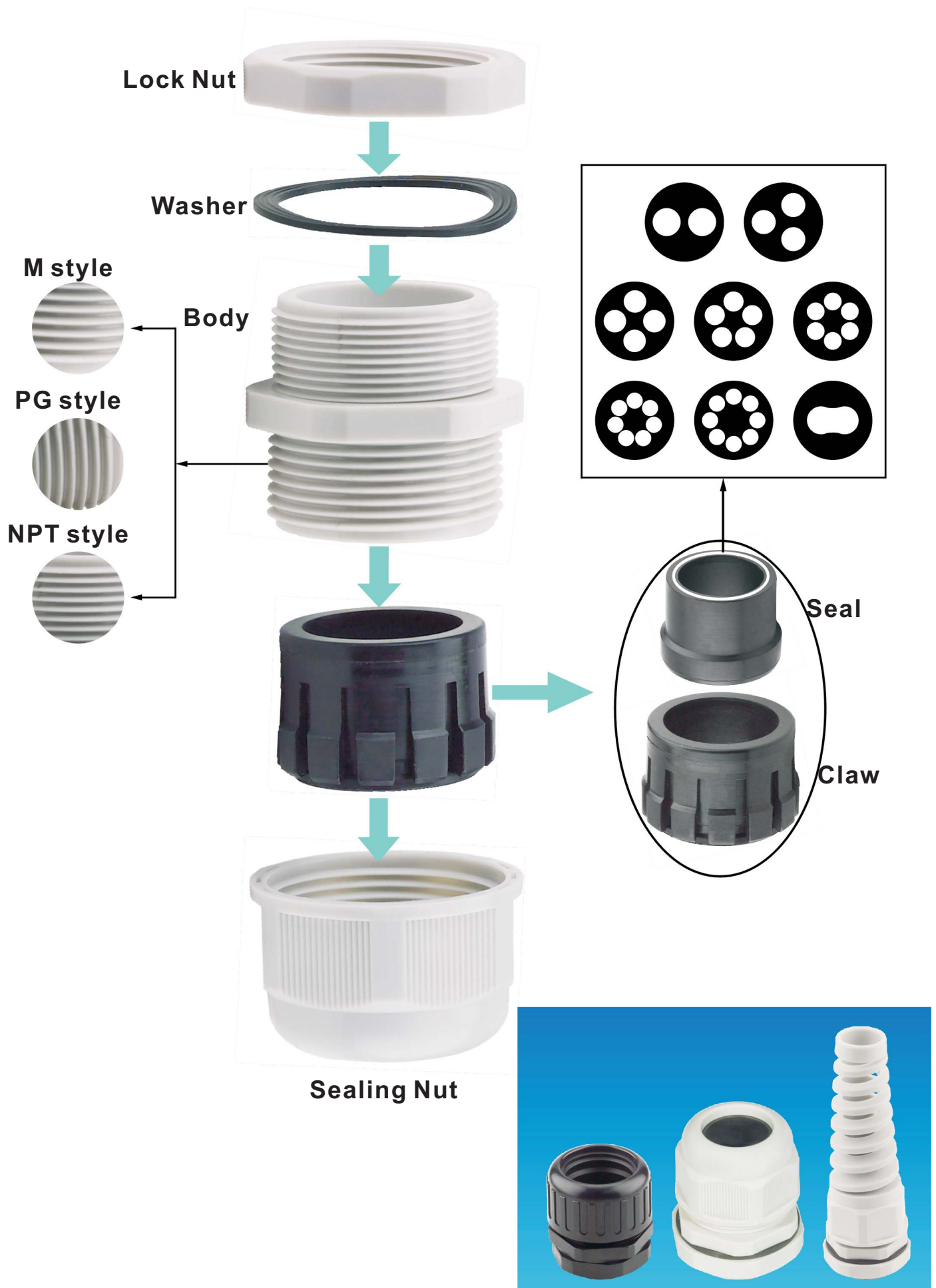
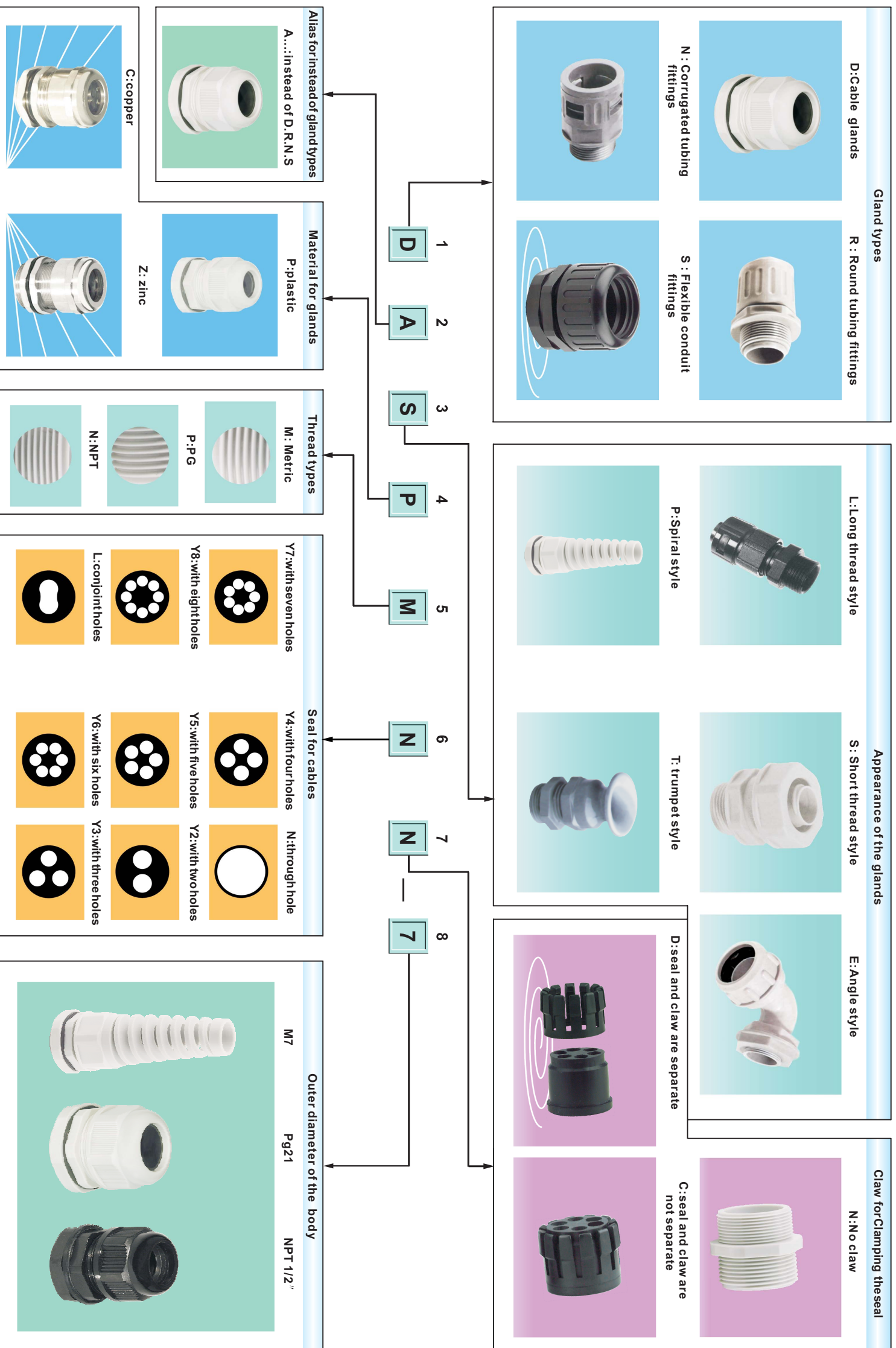


# Plastic Glands





## ★ Plastic cable glands

### ▼ Metric connection thread



..... Page B01 - B03

### ▼ Bending protection



..... Page B04 - B09

### ▼ PG connection thread



..... Page B10 - B12

### ▼ Bending protection



..... Page B13 - B15

### ▼ Explosion proof



..... Page B16 - B18

### ▼ Special plastic thread



..... Page B19 - B22

### ▼ Explosion proof



..... Page B23

### ▼ Flat cable connection thread



..... Page B24

### ▼ Angle



..... Page B24

## ★ Assignment Conduit - Conduit Gland

### ▼ Protective conduit system made of plastic



..... Page B25-B27

### ▼ PVC spiral conduit system with plastic spiral



..... Page B28-B29

### ▼ Corrugated protective conduit system made of Polyamide



..... Page B30-B36

## ★ Accessory



..... Page B37

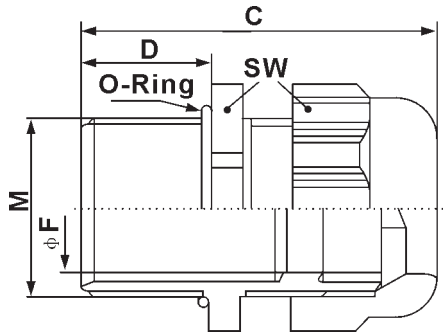


..... Page B38

## Metric connection thread

### DBSPM

The cable gland is manufactured from polyamide. It features metric thread, and is very easy to assemble. It is intended for very general applications such as various electrical and mechanical equipments, controlling and automation, and manufacturing devices.



Technical Data	Temperature range	Protection class	Material	Standard colour
DBSPM	Static : -40°C to +100°C Dynamic : -20°C to +80°C	IP 68-5 bar	Body : Polyamide Sealing : Neoprene	RAL 7001 silver grey RAL 9005 black

Seal hole	Threaded entry M	Cat .No	Clamping range mm	Wrench size mm	C mm	D mm	Packing unit pieces
	M12×1.5	DBSPMNN-12	3.5-7	15	30	8	100
	M16×1.5	DBSPMNN-16	4.5-10	19	34	8	100
	M20×1.5	DBSPMNN-20	7-13	25	37	9	100
	M25×1.5	DBSPMNN-25	9-17	30	40	10	50
	M32×1.5	DBSPMNN-32	11-21	36	47	10	25
	M40×1.5	DBSPMNN-40	19-28	46	52	10	10
	M50×1.5	DBSPMNN-50	27-35	55	62	12	5
M63×1.5	DBSPMNN-63	34-45	66	71	12	5	

Seal hole	Threaded entry M	Cat .No	Clamping range mm	Wrench size mm	C mm	D mm	Packing unit pieces
	M12×1.5	DBSPMY2D-12	3.5-7	15	30	8	100
	M16×1.5	DBSPMY2D-16	4.5-10	19	34	8	100
	M20×1.5	DBSPMY2D-20	7-13	25	37	9	100
	M25×1.5	DBSPMY2D-25	9-17	30	40	10	50
	M32×1.5	DBSPMY2D-32	11-21	36	47	10	25
	M40×1.5	DBSPMY2D-40	19-28	46	52	10	10
	M50×1.5	DBSPMY2D-50	27-35	55	62	12	5
M63×1.5	DBSPMY2D-63	34-45	66	71	12	5	

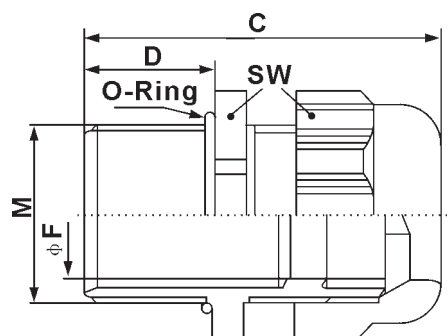
Seal hole	Threaded entry M	Cat .No	Clamping range mm	Wrench size mm	C mm	D mm	Packing unit pieces
	M12×1.5	DBSPMY3D-12	3.5-7	15	30	8	100
	M16×1.5	DBSPMY3D-16	4.5-10	19	34	8	100
	M20×1.5	DBSPMY3D-20	7-13	25	37	9	100
	M25×1.5	DBSPMY3D-25	9-17	30	40	10	50
	M32×1.5	DBSPMY3D-32	11-21	36	47	10	25
	M40×1.5	DBSPMY3D-40	19-28	46	52	10	10
	M50×1.5	DBSPMY3D-50	27-35	55	62	12	5
M63×1.5	DBSPMY3D-63	34-45	66	71	12	5	

# Plastic cable glands

## ■ Metric connection thread

### ● DBSPM

The cable gland is manufactured from polyamide . It features metric thread , and is very easy to assemble . It is intended for very general applications such as various electrical and mechanical equipments , controlling and automation , and manufacturing devices .



Technical Data	Temperature range	Protection class	Material	Standard colour
DBSPM	Static : -40°C to +100°C Dynamic : -20°C to +80°C	IP 68-5 bar	Body : Polyamide Sealing : Neoprene	RAL 7001 silver grey RAL 9005 black

Seal hole	Threaded entry M	Cat .No	Clamping range mm	Wrench size mm	C mm	D mm	Packing unit pieces
	M12×1.5	DBSPMY4D-12	3.5-7	15	30	8	100
	M16×1.5	DBSPMY4D-16	4.5-10	19	34	8	100
	M20×1.5	DBSPMY4D-20	7-13	25	37	9	100
	M25×1.5	DBSPMY4D-25	9-17	30	40	10	50
	M32×1.5	DBSPMY4D-32	11-21	36	47	10	25
	M40×1.5	DBSPMY4D-40	19-28	46	52	10	10
	M50×1.5	DBSPMY4D-50	27-35	55	62	12	5
M63×1.5	DBSPMY4D-63	34-45	66	71	12	5	

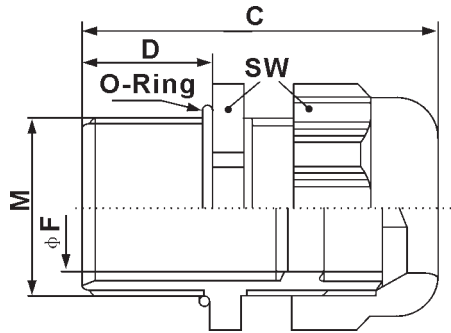
Seal hole	Threaded entry M	Cat .No	Clamping range mm	Wrench size mm	C mm	D mm	Packing unit pieces
	M12×1.5	DBSPMY5D-12	3.5-7	15	30	8	100
	M16×1.5	DBSPMY5D-16	4.5-10	19	34	8	100
	M20×1.5	DBSPMY5D-20	7-13	25	37	9	100
	M25×1.5	DBSPMY5D-25	9-17	30	40	10	50
	M32×1.5	DBSPMY5D-32	11-21	36	47	10	25
	M40×1.5	DBSPMY5D-40	19-28	46	52	10	10
	M50×1.5	DBSPMY5D-50	27-35	55	62	12	5
M63×1.5	DBSPMY5D-63	34-45	66	71	12	5	

Seal hole	Threaded entry M	Cat .No	Clamping range mm	Wrench size mm	C mm	D mm	Packing unit pieces
	M12×1.5	DBSPMY6D-12	3.5-7	15	30	8	100
	M16×1.5	DBSPMY6D-16	4.5-10	19	34	8	100
	M20×1.5	DBSPMY6D-20	7-13	25	37	9	100
	M25×1.5	DBSPMY6D-25	9-17	30	40	10	50
	M32×1.5	DBSPMY6D-32	11-21	36	47	10	25
	M40×1.5	DBSPMY6D-40	19-28	46	52	10	10
	M50×1.5	DBSPMY6D-50	27-35	55	62	12	5
M63×1.5	DBSPMY6D-63	34-45	66	71	12	5	

## Metric connection thread

### DBSPM

The cable gland is manufactured from polyamide . It features metric thread , and is very easy to assemble . It is intended for very general applications such as various electrical and mechanical equipments , controlling and automation , and manufacturing devices .



Technical Data	Temperature range	Protection class	Material	Standard colour
DBSPM	Static : -40°C to +100°C Dynamic : -20°C to +80°C	IP 68-5 bar	Body : Polyamide Sealing : Neoprene	RAL 7001 silver grey RAL 9005 black

Seal hole	Threaded entry M	Cat .No	Clamping range mm	Wrench size mm	C mm	D mm	Packing unit pieces
	M12×1.5	DBSPMY7D-12	3.5-7	15	30	8	100
	M16×1.5	DBSPMY7D-16	4.5-10	19	34	8	100
	M20×1.5	DBSPMY7D-20	7-13	25	37	9	100
	M25×1.5	DBSPMY7D-25	9-17	30	40	10	50
	M32×1.5	DBSPMY7D-32	11-21	36	47	10	25
	M40×1.5	DBSPMY7D-40	19-28	46	52	10	10
	M50×1.5	DBSPMY7D-50	27-35	55	62	12	5
M63×1.5	DBSPMY7D-63	34-45	66	71	12	5	

Seal hole	Threaded entry M	Cat .No	Clamping range mm	Wrench size mm	C mm	D mm	Packing unit pieces
	M12×1.5	DBSPMY8D-12	3.5-7	15	30	8	100
	M16×1.5	DBSPMY8D-16	4.5-10	19	34	8	100
	M20×1.5	DBSPMY8D-20	7-13	25	37	9	100
	M25×1.5	DBSPMY8D-25	9-17	30	40	10	50
	M32×1.5	DBSPMY8D-32	11-21	36	47	10	25
	M40×1.5	DBSPMY8D-40	19-28	46	52	10	10
	M50×1.5	DBSPMY8D-50	27-35	55	62	12	5
M63×1.5	DBSPMY8D-63	34-45	66	71	12	5	

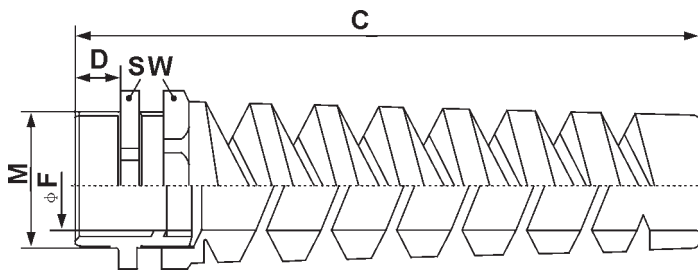
Seal hole	Threaded entry M	Cat .No	Clamping range mm	Wrench size mm	C mm	D mm	Packing unit pieces
	M12×1.5	DBSPMLD-12	3.5-7	15	30	8	100
	M16×1.5	DBSPMLD-16	4.5-10	19	34	8	100
	M20×1.5	DBSPMLD-20	7-13	25	37	9	100
	M25×1.5	DBSPMLD-25	9-17	30	40	10	50
	M32×1.5	DBSPMLD-32	11-21	36	47	10	25
	M40×1.5	DBSPMLD-40	19-28	46	52	10	10
	M50×1.5	DBSPMLD-50	27-35	55	62	12	5
M63×1.5	DBSPMLD-63	34-45	66	71	12	5	

# Plastic cable glands

## ■ Bending protection

### ● DAPPM

This device prevents bending of cables, thus eliminates movement of cables around the device it goes on. This is a very important safety feature for devices with moving or revolving parts, and it is crucial in order for the setup to operate in many cases. It can also be seen used on numbers of handheld devices. The spiral guards featured on this cable gland further prevents conductor break, thus reduces chance of failure.



Technical Data	Temperature range	Protection class	Material	Standard colour
DAPPM	-20°C to +80°C	IP 68-5 bar	Body : Polyamide Sealing : Neoprene	RAL 7001 silver grey

Seal hole	Threaded entry M	Cat .No	Clamping range mm	Wrench size mm	C mm	D mm	Packing unit pieces
	12×1.5	DAPPMNN-12	3.5-7	15	64	8	100
	16×1.5	DAPPMNN-16	4.5-10	19	86	8	100
	20×1.5	DAPPMNN-20	7-13	25	101	8	50
	25×1.5	DAPPMNN-25	9-17	30	125	9	25
	32×1.5	DAPPMNN-32	11-21	36	149	10	25

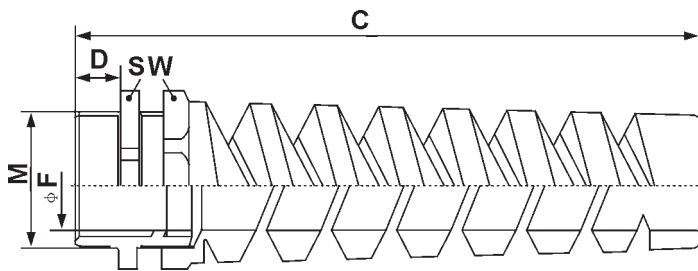
Seal hole	Threaded entry M	Cat .No	Clamping range mm	Wrench size mm	C mm	D mm	Packing unit pieces
	12×1.5	DAPPMY2D-12	3.5-7	15	64	8	100
	16×1.5	DAPPMY2D-16	4.5-10	19	86	8	100
	20×1.5	DAPPMY2D-20	7-13	25	101	8	50
	25×1.5	DAPPMY2D-25	9-17	30	125	9	25
	32×1.5	DAPPMY2D-32	11-21	36	149	10	25

Seal hole	Threaded entry M	Cat .No	Clamping range mm	Wrench size mm	C mm	D mm	Packing unit pieces
	12×1.5	DAPPMY3D-12	3.5-7	15	64	8	100
	16×1.5	DAPPMY3D-16	4.5-10	19	86	8	100
	20×1.5	DAPPMY3D-20	7-13	25	101	8	50
	25×1.5	DAPPMY3D-25	9-17	30	125	9	25
	32×1.5	DAPPMY3D-32	11-21	36	149	10	25

## ■ Bending protection

### ● DAPPM

This device prevents bending of cables, thus eliminates movement of cables around the device it goes on. This is a very important safety feature for devices with moving or revolving parts, and it is crucial in order for the setup to operate in many cases. It can also be seen used on numbers of handheld devices. The spiral guards featured on this cable gland further prevents conductor break, thus reduces chance of failure.



Technical Data	Temperature range	Protection class	Material	Standard colour
DAPPM	-20°C to +80°C	IP 68-5 bar	Body : Polyamide Sealing : Neoprene	RAL 7001 silver grey

Seal hole	Threaded entry M	Cat .No	Clamping range mm	Wrench size mm	C mm	D mm	Packing unit pieces
	12×1.5	DAPPMY4D-12	3.5-7	15	64	8	100
	16×1.5	DAPPMY4D-16	4.5-10	19	86	8	100
	20×1.5	DAPPMY4D-20	7-13	25	101	8	50
	25×1.5	DAPPMY4D-25	9-17	30	125	9	25
	32×1.5	DAPPMY4D-32	11-21	36	149	10	25

Seal hole	Threaded entry M	Cat .No	Clamping range mm	Wrench size mm	C mm	D mm	Packing unit pieces
	12×1.5	DAPPMY5D-12	3.5-7	15	64	8	100
	16×1.5	DAPPMY5D-16	4.5-10	19	86	8	100
	20×1.5	DAPPMY5D-20	7-13	25	101	8	50
	25×1.5	DAPPMY5D-25	9-17	30	125	9	25
	32×1.5	DAPPMY5D-32	11-21	36	149	10	25

Seal hole	Threaded entry M	Cat .No	Clamping range mm	Wrench size mm	C mm	D mm	Packing unit pieces
	12×1.5	DAPPMY6D-12	3.5-7	15	64	8	100
	16×1.5	DAPPMY6D-16	4.5-10	19	86	8	100
	20×1.5	DAPPMY6D-20	7-13	25	101	8	50
	25×1.5	DAPPMY6D-25	9-17	30	125	9	25
	32×1.5	DAPPMY6D-32	11-21	36	149	10	25

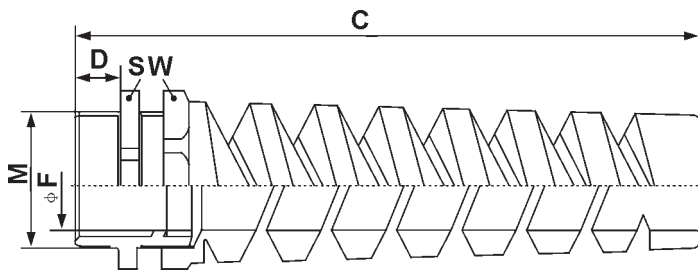


# Plastic cable glands

## ■ Bending protection

### ● DAPPM

This device prevents bending of cables, thus eliminates movement of cables around the device it goes on. This is a very important safety feature for devices with moving or revolving parts, and it is crucial in order for the setup to operate in many cases. It can also be seen used on numbers of handheld devices. The spiral guards featured on this cable gland further prevents conductor break, thus reduces chance of failure.



Technical Data	Temperature range	Protection class	Material	Standard colour
DAPPM	-20°C to +80°C	IP 68-5 bar	Body : Polyamide Sealing : Neoprene	RAL 7001 silver grey

Seal hole	Threaded entry M	Cat .No	Clamping range mm	Wrench size mm	C mm	D mm	Packing unit pieces
	12×1.5	DAPPMY7D-12	3.5-7	15	64	8	100
	16×1.5	DAPPMY7D-16	4.5-10	19	86	8	100
	20×1.5	DAPPMY7D-20	7-13	25	101	8	50
	25×1.5	DAPPMY7D-25	9-17	30	125	9	25
	32×1.5	DAPPMY7D-32	11-21	36	149	10	25

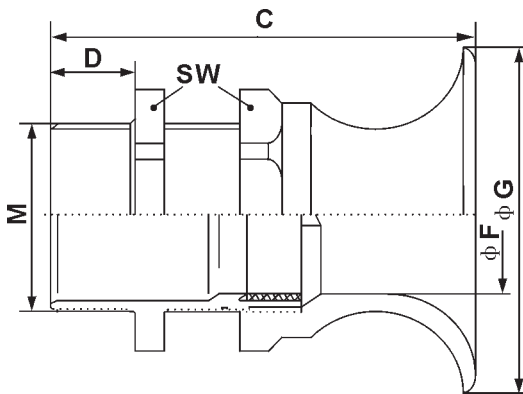
Seal hole	Threaded entry M	Cat .No	Clamping range mm	Wrench size mm	C mm	D mm	Packing unit pieces
	12×1.5	DAPPMY8D-12	3.5-7	15	64	8	100
	16×1.5	DAPPMY8D-16	4.5-10	19	86	8	100
	20×1.5	DAPPMY8D-20	7-13	25	101	8	50
	25×1.5	DAPPMY8D-25	9-17	30	125	9	25
	32×1.5	DAPPMY8D-32	11-21	36	149	10	25

Seal hole	Threaded entry M	Cat .No	Clamping range mm	Wrench size mm	C mm	D mm	Packing unit pieces
	12×1.5	DAPPMLD-12	3.5-7	15	64	8	100
	16×1.5	DAPPMLD-16	4.5-10	19	86	8	100
	20×1.5	DAPPMLD-20	7-13	25	101	8	50
	25×1.5	DAPPMLD-25	9-17	30	125	9	25
	32×1.5	DAPPMLD-32	11-21	36	149	10	25

## ■ Bending protection

### ● DATPM

This device prevents and limits bending of cables around the device it goes on . It features a trumpet like opening , which allows movement of cables , but would still prevent the cable from getting too close to the device . This is a very important safety feature for devices with moving or revolving parts , and it is crucial in order for the setup to operate in many cases . It can also be seen used on numbers of handheld devices .



Technical Data	Temperature range	Protection class	Material	Standard colour
DATPM	-20°C to +80°C	IP 68 bar	Body : Polyamide Sealing : Neoprene	RAL 7001 silver grey

Seal hole	Threaded entry M	Cat .No	Clamping range mm	Wrench size mm	C mm	D mm	Packing unit pieces
	16×1.5	DATPMNN-16	4-10	22	47.7	8	100
	20×1.5	DATPMNN-20	5-12	24	52.0	9	50
	25×1.5	DATPMNN-25	9-14	27	55.9	10	50

Seal hole	Threaded entry M	Cat .No	Clamping range mm	Wrench size mm	C mm	D mm	Packing unit pieces
	16×1.5	DATPMY2D-16	4-10	22	47.7	8	100
	20×1.5	DATPMY2D-20	5-12	24	52.0	9	50
	25×1.5	DATPMY2D-25	9-14	27	55.9	10	50

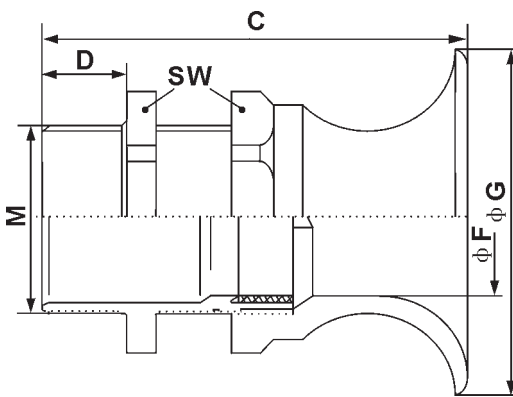
Seal hole	Threaded entry M	Cat .No	Clamping range mm	Wrench size mm	C mm	D mm	Packing unit pieces
	16×1.5	DATPMY3D-16	4-10	22	47.7	8	100
	20×1.5	DATPMY3D-20	5-12	24	52.0	9	50
	25×1.5	DATPMY3D-25	9-14	27	55.9	10	50

# Plastic cable glands

## ■ Bending protection

### ● DATPM

This device prevents and limits bending of cables around the device it goes on . It features a trumpet like opening , which allows movement of cables , but would still prevent the cable from getting too close to the device . This is a very important safety feature for devices with moving or revolving parts , and it is crucial in order for the setup to operate in many cases . It can also be seen used on numbers of handheld devices .



Technical Data	Temperature range	Protection class	Material	Standard colour
DATPM	-20°C to +80°C	IP 68 bar	Body : Polyamide Sealing : Neoprene	RAL 7001 silver grey

Seal hole	Threaded entry M	Cat .No	Clamping range mm	Wrench size mm	C mm	D mm	Packing unit pieces
	16×1.5	DATPMY4D-16	4-10	22	47.7	8	100
	20×1.5	DATPMY4D-20	5-12	24	52.0	9	50
	25×1.5	DATPMY4D-25	9-14	27	55.9	10	50

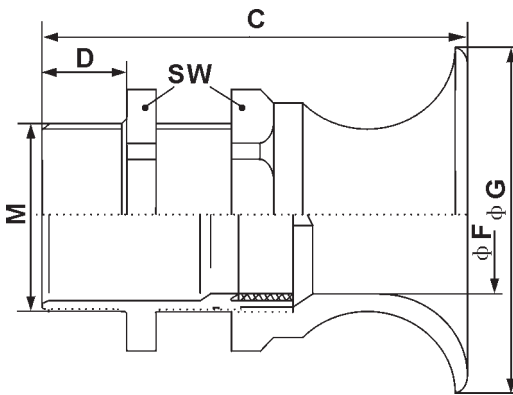
Seal hole	Threaded entry M	Cat .No	Clamping range mm	Wrench size mm	C mm	D mm	Packing unit pieces
	16×1.5	DATPMY5D-16	4-10	22	47.7	8	100
	20×1.5	DATPMY5D-20	5-12	24	52.0	9	50
	25×1.5	DATPMY5D-25	9-14	27	55.9	10	50

Seal hole	Threaded entry M	Cat .No	Clamping range mm	Wrench size mm	C mm	D mm	Packing unit pieces
	16×1.5	DATPMY6D-16	4-10	22	47.7	8	100
	20×1.5	DATPMY6D-20	5-12	24	52.0	9	50
	25×1.5	DATPMY6D-25	9-14	27	55.9	10	50

## ■ Bending protection

### ● DATPM

This device prevents and limits bending of cables around the device it goes on. It features a trumpet like opening, which allows movement of cables, but would still prevent the cable from getting too close to the device. This is a very important safety feature for devices with moving or revolving parts, and it is crucial in order for the setup to operate in many cases. It can also be seen used on numbers of handheld devices.



Technical Data	Temperature range	Protection class	Material	Standard colour
DATPM	-20°C to +80°C	IP 68 bar	Body : Polyamide Sealing : Neoprene	RAL 7001 silver grey

Seal hole	Threaded entry M	Cat .No	Clamping range mm	Wrench size mm	C mm	D mm	Packing unit pieces
	16×1.5	DATPMY7D-16	4-10	22	47.7	8	100
	20×1.5	DATPMY7D-20	5-12	24	52.0	9	50
	25×1.5	DATPMY7D-25	9-14	27	55.9	10	50

Seal hole	Threaded entry M	Cat .No	Clamping range mm	Wrench size mm	C mm	D mm	Packing unit pieces
	16×1.5	DATPMY8D-16	4-10	22	47.7	8	100
	20×1.5	DATPMY8D-20	5-12	24	52.0	9	50
	25×1.5	DATPMY8D-25	9-14	27	55.9	10	50

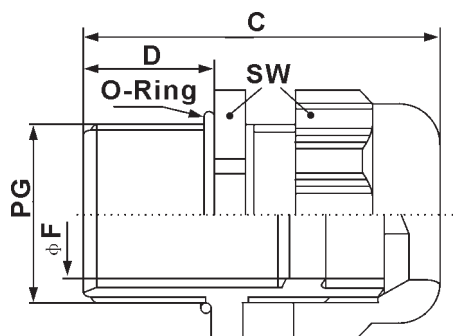
Seal hole	Threaded entry M	Cat .No	Clamping range mm	Wrench size mm	C mm	D mm	Packing unit pieces
	16×1.5	DATPMLD-16	4-10	22	47.7	8	100
	20×1.5	DATPMLD-20	5-12	24	52.0	9	50
	25×1.5	DATPMLD-25	9-14	27	55.9	10	50

# Plastic cable glands

## PG connection thread

### DBSPP

This cable gland is manufactured from polyamide . It is intended for very general applications such as various electrical and mechanical equipments , controlling and automation , and manufacturing devices .



Technical Data	Temperature range	Protection class	Material	Standard colour
DBSPP	-20°C to +80°C	IP 68-5 bar	Body : Polyamide Sealing : Neoprene	RAL 7001 silver grey RAL 9005 black

Seal hole	Threaded entry PG	Cat .No	Clamping range mm	Wrench size mm	C mm	D mm	Packing unit pieces
	7	DBSPPNN-7	2.5-6.5	15	32	8	100
	9	DBSPPNN-9	3.5-8	19	36	8	100
	11	DBSPPNN-11	4-10	22	38	8	100
	13.5	DBSPPNN-13.5	6-12	24	41	9	100
	16	DBSPPNN-16	9-14	27	44	10	50
	21	DBSPPNN-21	13-18	33	49	11	50
	29	DBSPPNN-29	14-25	42	56	11	25
	36	DBSPPNN-36	24-32	53	66	13	10
	42	DBSPPNN-42	35-38	60	68	13	5
48	DBSPPNN-48	39-44	65	69	14	5	

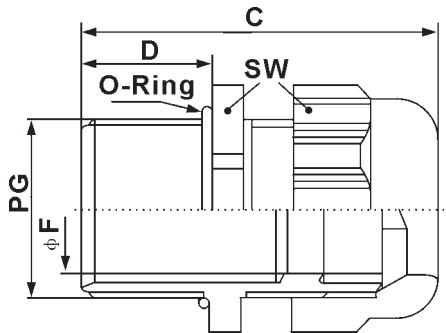
Seal hole	Threaded entry PG	Cat .No	Clamping range mm	Wrench size mm	C mm	D mm	Packing unit pieces
	7	DBSPPY2D-7	2.5-6.5	15	32	8	100
	9	DBSPPY2D-9	3.5-8	19	36	8	100
	11	DBSPPY2D-11	4-10	22	38	8	100
	13.5	DBSPPY2D-13.5	6-12	24	41	9	100
	16	DBSPPY2D-16	9-14	27	44	10	50
	21	DBSPPY2D-21	13-18	33	49	11	50
	29	DBSPPY2D-29	14-25	42	56	11	25
	36	DBSPPY2D-36	24-32	53	66	13	10
	42	DBSPPY2D-42	35-38	60	68	13	5
48	DBSPPY2D-48	39-44	65	69	14	5	

Seal hole	Threaded entry PG	Cat .No	Clamping range mm	Wrench size mm	C mm	D mm	Packing unit pieces
	7	DBSPPY3D-7	2.5-6.5	15	32	8	100
	9	DBSPPY3D-9	3.5-8	19	36	8	100
	11	DBSPPY3D-11	4-10	22	38	8	100
	13.5	DBSPPY3D-13.5	6-12	24	41	9	100
	16	DBSPPY3D-16	9-14	27	44	10	50
	21	DBSPPY3D-21	13-18	33	49	11	50
	29	DBSPPY3D-29	14-25	42	56	11	25
	36	DBSPPY3D-36	24-32	53	66	13	10
	42	DBSPPY3D-42	35-38	60	68	13	5
48	DBSPPY3D-48	39-44	65	69	14	5	

## PG connection thread

### DBSPP

This cable gland is manufactured from polyamide . It is intended for very general applications such as various electrical and mechanical equipments , controlling and automation , and manufacturing devices .



Technical Data	Temperature range	Protection class	Material	Standard colour
DBSPP	-20°C to +80°C	IP 68-5 bar	Body : Polyamide Sealing : Neoprene	RAL 7001 silver grey RAL 9005 black

Seal hole	Threaded entry PG	Cat .No	Clamping range mm	Wrench size mm	C mm	D mm	Packing unit pieces
	7	DBSPPY4D-7	2.5-6.5	15	32	8	100
	9	DBSPPY4D-9	3.5-8	19	36	8	100
	11	DBSPPY4D-11	4-10	22	38	8	100
	13.5	DBSPPY4D-13.5	6-12	24	41	9	100
	16	DBSPPY4D-16	9-14	27	44	10	50
	21	DBSPPY4D-21	13-18	33	49	11	50
	29	DBSPPY4D-29	14-25	42	56	11	25
	36	DBSPPY4D-36	24-32	53	66	13	10
	42	DBSPPY4D-42	35-38	60	68	13	5
	48	DBSPPY4D-48	39-44	65	69	14	5

Seal hole	Threaded entry PG	Cat .No	Clamping range mm	Wrench size mm	C mm	D mm	Packing unit pieces
	7	DBSPPY5D-7	2.5-6.5	15	32	8	100
	9	DBSPPY5D-9	3.5-8	19	36	8	100
	11	DBSPPY5D-11	4-10	22	38	8	100
	13.5	DBSPPY5D-13.5	6-12	24	41	9	100
	16	DBSPPY5D-16	9-14	27	44	10	50
	21	DBSPPY5D-21	13-18	33	49	11	50
	29	DBSPPY5D-29	14-25	42	56	11	25
	36	DBSPPY5D-36	24-32	53	66	13	10
	42	DBSPPY5D-42	35-38	60	68	13	5
	48	DBSPPY5D-48	39-44	65	69	14	5

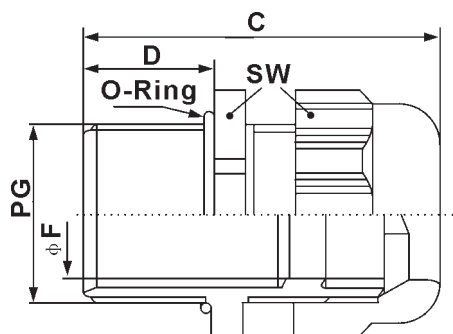
Seal hole	Threaded entry PG	Cat .No	Clamping range mm	Wrench size mm	C mm	D mm	Packing unit pieces
	7	DBSPPY6D-7	2.5-6.5	15	32	8	100
	9	DBSPPY6D-9-01	3.5-8	19	36	8	100
	11	DBSPPY6D-11	4-10	22	38	8	100
	13.5	DBSPPY6D-13.5	6-12	24	41	9	100
	16	DBSPPY6D-16	9-14	27	44	10	50
	21	DBSPPY6D-21	13-18	33	49	11	50
	29	DBSPPY6D-29	14-25	42	56	11	25
	36	DBSPPY6D-36	24-32	53	66	13	10
	42	DBSPPY6D-42	35-38	60	68	13	5
	48	DBSPPY6D-48	39-44	65	69	14	5

# Plastic cable glands

## PG connection thread

### DBSPP

This cable gland is manufactured from polyamide . It is intended for very general applications such as various electrical and mechanical equipments , controlling and automation , and manufacturing devices .



Technical Data	Temperature range	Protection class	Material	Standard colour
DBSPP	-20°C to +80°C	IP 68-5 bar	Body : Polyamide Sealing : Neoprene	RAL 7001 silver grey RAL 9005 black

Seal hole	Threaded entry PG	Cat .No	Clamping range mm	Wrench size mm	C mm	D mm	Packing unit pieces
	7	DBSPPY7D-7	2.5-6.5	15	32	8	100
	9	DBSPPY7D-9	3.5-8	19	36	8	100
	11	DBSPPY7D-11	4-10	22	38	8	100
	13.5	DBSPPY7D-13.5	6-12	24	41	9	100
	16	DBSPPY7D-16	9-14	27	44	10	50
	21	DBSPPY7D-21	13-18	33	49	11	50
	29	DBSPPY7D-29	14-25	42	56	11	25
	36	DBSPPY7D-36	24-32	53	66	13	10
	42	DBSPPY7D-42	35-38	60	68	13	5
	48	DBSPPY7D-48	39-44	65	69	14	5

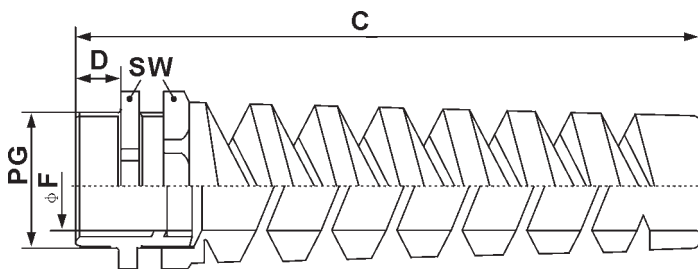
Seal hole	Threaded entry PG	Cat .No	Clamping range mm	Wrench size mm	C mm	D mm	Packing unit pieces
	7	DBSPPY8D-7	2.5-6.5	15	32	8	100
	9	DBSPPY8D-9	3.5-8	19	36	8	100
	11	DBSPPY8D-11	4-10	22	38	8	100
	13.5	DBSPPY8D-13.5	6-12	24	41	9	100
	16	DBSPPY8D-16	9-14	27	44	10	50
	21	DBSPPY8D-21	13-18	33	49	11	50
	29	DBSPPY8D-29	14-25	42	56	11	25
	36	DBSPPY8D-36	24-32	53	66	13	10
	42	DBSPPY8D-42	35-38	60	68	13	5
	48	DBSPPY8D-48	39-44	65	69	14	5

Seal hole	Threaded entry PG	Cat .No	Clamping range mm	Wrench size mm	C mm	D mm	Packing unit pieces
	7	DBSPPLD-7	2.5-6.5	15	32	8	100
	9	DBSPPLD-9	3.5-8	19	36	8	100
	11	DBSPPLD-11	4-10	22	38	8	100
	13.5	DBSPPLD-13.5	6-12	24	41	9	100
	16	DBSPPLD-16	9-14	27	44	10	50
	21	DBSPPLD-21	13-18	33	49	11	50
	29	DBSPPLD-29	14-25	42	56	11	25
	36	DBSPPLD-36	24-32	53	66	13	10
	42	DBSPPLD-42	35-38	60	68	13	5
	48	DBSPPLD-48	39-44	65	69	14	5

## ■ Bending protection

### ● DAPPP

This device prevents bending of cables, thus eliminates movement of cables around the device it goes on. This is a very important safety feature for devices with moving or revolving parts, and it is crucial in order for the setup to operate in many cases. It can also be seen used on numbers of handheld devices. The spiral guards featured on this cable gland further prevents conductor break, thus reduces chance of failure. It is UL, and CSA approved.



Technical Data	Temperature range	Protection class	Material	Standard colour
DAPPP	-20°C to +80°C	IP 68-5 bar	Body : Polyamide Sealing : Neoprene	RAL 7001 silver grey

Seal hole	Threaded entry PG	Cat .No	Clamping range mm	Wrench size mm	C mm	D mm	Packing unit pieces
	7	DAPPPNN-7	2.5-6.5	15	62	8	100
	9	DAPPPNN-9	3.5-8	19	73.5	8	100
	11	DAPPPNN-11	4-10	22	86	8	100
	13.5	DAPPPNN-13.5	6-12	24	98	9	50
	16	DAPPPNN-16	9-14	27	111.5	10	25
	21	DAPPPNN-21	13-18	33	129	11	25

Seal hole	Threaded entry PG	Cat .No	Clamping range mm	Wrench size mm	C mm	D mm	Packing unit pieces
	7	DAPPPY2D-7	2.5-6.5	15	62	8	100
	9	DAPPPY2D-9	3.5-8	19	73.5	8	100
	11	DAPPPY2D-11	4-10	22	86	8	100
	13.5	DAPPPY2D-13.5	6-12	24	98	9	50
	16	DAPPPY2D-16	9-14	27	111.5	10	25
	21	DAPPPY2D-21	13-18	33	129	11	25

Seal hole	Threaded entry PG	Cat .No	Clamping range mm	Wrench size mm	C mm	D mm	Packing unit pieces
	7	DAPPPY3D-7	2.5-6.5	15	62	8	100
	9	DAPPPY3D-9	3.5-8	19	73.5	8	100
	11	DAPPPY3D-11	4-10	22	86	8	100
	13.5	DAPPPY3D-13.5	6-12	24	98	9	50
	16	DAPPPY3D-16	9-14	27	111.5	10	25
	21	DAPPPY3D-21	13-18	33	129	11	25

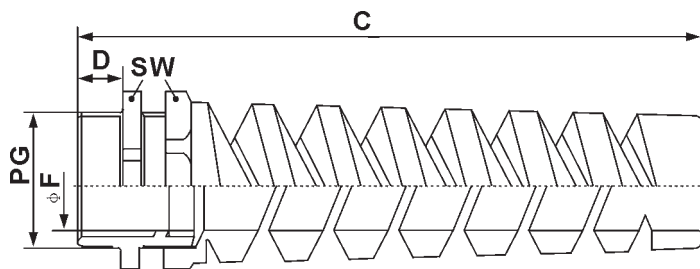


# Plastic cable glands

## ■ Bending protection

### ● DAPPP

This device prevents bending of cables, thus eliminates movement of cables around the device it goes on. This is a very important safety feature for devices with moving or revolving parts, and it is crucial in order for the setup to operate in many cases. It can also be seen used on numbers of handheld devices. The spiral guards featured on this cable gland further prevents conductor break, thus reduces chance of failure. It is UL, and CSA approved.



Technical Data	Temperature range	Protection class	Material	Standard colour
DAPPP	-20°C to +80°C	IP 68-5 bar	Body : Polyamide Sealing : Neoprene	RAL 7001 silver grey

Seal hole	Threaded entry PG	Cat .No	Clamping range mm	Wrench size mm	C mm	D mm	Packing unit pieces
	7	DAPPPY4D-7	2.5-6.5	15	62	8	100
	9	DAPPPY4D-9	3.5-8	19	73.5	8	100
	11	DAPPPY4D-11	4-10	22	86	8	100
	13.5	DAPPPY4D-13.5	6-12	24	98	9	50
	16	DAPPPY4D-16	9-14	27	111.5	10	25
	21	DAPPPY4D-21	13-18	33	129	11	25

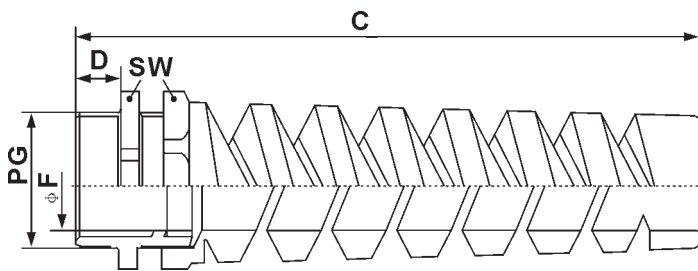
Seal hole	Threaded entry PG	Cat .No	Clamping range mm	Wrench size mm	C mm	D mm	Packing unit pieces
	7	DAPPPY5D-7	2.5-6.5	15	62	8	100
	9	DAPPPY5D-9	3.5-8	19	73.5	8	100
	11	DAPPPY5D-11	4-10	22	86	8	100
	13.5	DAPPPY5D-13.5	6-12	24	98	9	50
	16	DAPPPY5D-16	9-14	27	111.5	10	25
	21	DAPPPY5D-21	13-18	33	129	11	25

Seal hole	Threaded entry PG	Cat .No	Clamping range mm	Wrench size mm	C mm	D mm	Packing unit pieces
	7	DAPPPY6D-7	2.5-6.5	15	62	8	100
	9	DAPPPY6D-9	3.5-8	19	73.5	8	100
	11	DAPPPY6D-11	4-10	22	86	8	100
	13.5	DAPPPY6D-13.5	6-12	24	98	9	50
	16	DAPPPY6D-16	9-14	27	111.5	10	25
	21	DAPPPY6D-21	13-18	33	129	11	25

## ■ Bending protection

### ● DAPPP

This device prevents bending of cables, thus eliminates movement of cables around the device it goes on. This is a very important safety feature for devices with moving or revolving parts, and it is crucial in order for the setup to operate in many cases. It can also be seen used on numbers of handheld devices. The spiral guards featured on this cable gland further prevents conductor break, thus reduces chance of failure. It is UL, and CSA approved.



Technical Data	Temperature range	Protection class	Material	Standard colour
DAPPP	-20°C to +80°C	IP 68-5 bar	Body : Polyamide Sealing : Neoprene	RAL 7001 silver grey

Seal hole	Threaded entry PG	Cat .No	Clamping range mm	Wrench size mm	C mm	D mm	Packing unit pieces
	7	DAPPPY7D-7	2.5-6.5	15	62	8	100
	9	DAPPPY7D-9	3.5-8	19	73.5	8	100
	11	DAPPPY7D-11	4-10	22	86	8	100
	13.5	DAPPPY7D-13.5	6-12	24	98	9	50
	16	DAPPPY7D-16	9-14	27	111.5	10	25
	21	DAPPPY7D-21	13-18	33	129	11	25

Seal hole	Threaded entry PG	Cat .No	Clamping range mm	Wrench size mm	C mm	D mm	Packing unit pieces
	7	DAPPPY8D-7	2.5-6.5	15	62	8	100
	9	DAPPPY8D-9	3.5-8	19	73.5	8	100
	11	DAPPPY8D-11	4-10	22	86	8	100
	13.5	DAPPPY8D-13.5	6-12	24	98	9	50
	16	DAPPPY8D-16	9-14	27	111.5	10	25
	21	DAPPPY8D-21	13-18	33	129	11	25

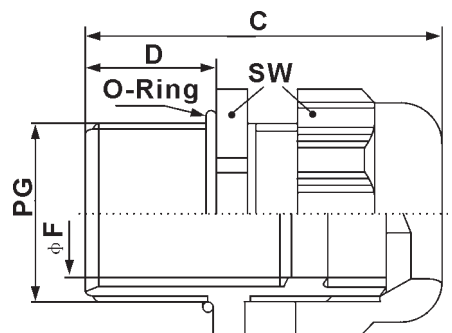
Seal hole	Threaded entry PG	Cat .No	Clamping range mm	Wrench size mm	C mm	D mm	Packing unit pieces
	7	DAPPLD-7	2.5-6.5	15	62	8	100
	9	DAPPLD-9	3.5-8	19	73.5	8	100
	11	DAPPLD-11	4-10	22	86	8	100
	13.5	DAPPLD-13.5	6-12	24	98	9	50
	16	DAPPLD-16	9-14	27	111.5	10	25
	21	DAPPLD-21	13-18	33	129	11	25

# Plastic cable glands

## Explosion proof

### DDSPP

This cable gland is made of be used in areas where explosion might be a risk , requiring a class E security . It is also suitable to be used in the chemical and petrochemical industry . It is also safe from freeze and dynamic strain in temperatures of -20°C. It features trapezoidal thread , and is designed to stand distortion and vibration .



Technical Data	Temperature range	Protection class	Material	Standard colour
DDSPP	-20°C to +80°C	IP 68-5 bar	Body : Polyamide Sealing : EPDM	RAL 9005 black

Seal hole	Threaded entry PG	Cat .No	Clamping range mm	Wrench size mm	C mm	D mm	Packing unit pieces
	7	DDSPPNN-7	3-6.5	15	32	8	100
	9	DDSPPNN-9	4-8	19	36	8	100
	11	DDSPPNN-11	5-10	22	38	8	100
	13.5	DDSPPNN-13.5	6-12	24	41	9	100
	16	DDSPPNN-16	10-14	27	44	10	50
	21	DDSPPNN-21	13-18	32	49	11	50
	29	DDSPPNN-29	18-25	42	56	11	25
	36	DDSPPNN-36	22-32	53	66	13	10
	42	DDSPPNN-42	32-38	60	68	13	5
	48	DDSPPNN-48	37-44	65	69	14	5

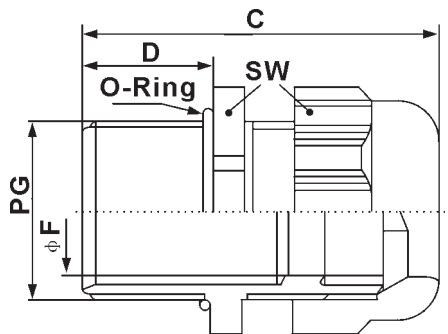
Seal hole	Threaded entry PG	Cat .No	Clamping range mm	Wrench size mm	C mm	D mm	Packing unit pieces
	7	DDSPPY2D-7	3-6.5	15	32	8	100
	9	DDSPPY2D-9	4-8	19	36	8	100
	11	DDSPPY2D-11	5-10	22	38	8	100
	13.5	DDSPPY2D-13.5	6-12	24	41	9	100
	16	DDSPPY2D-16	10-14	27	44	10	50
	21	DDSPPY2D-21	13-18	32	49	11	50
	29	DDSPPY2D-29	18-25	42	56	11	25
	36	DDSPPY2D-36	22-32	53	66	13	10
	42	DDSPPY2D-42	32-38	60	68	13	5
	48	DDSPPY2D-48	37-44	65	69	14	5

Seal hole	Threaded entry PG	Cat .No	Clamping range mm	Wrench size mm	C mm	D mm	Packing unit pieces
	7	DDSPPY3D-7	3-6.5	15	32	8	100
	9	DDSPPY3D-9	4-8	19	36	8	100
	11	DDSPPY3D-11	5-10	22	38	8	100
	13.5	DDSPPY3D-13.5	6-12	24	41	9	100
	16	DDSPPY3D-16	10-14	27	44	10	50
	21	DDSPPY3D-21	13-18	32	49	11	50
	29	DDSPPY3D-29	18-25	42	56	11	25
	36	DDSPPY3D-36	22-32	53	66	13	10
	42	DDSPPY3D-42	32-38	60	68	13	5
	48	DDSPPY3D-48	37-44	65	69	14	5

## Explosion proof

### DDSPP

This cable gland is made of be used in areas where explosion might be a risk , requiring a class E security . It is also suitable to be used in the chemical and petrochemical industry . It is also safe from freeze and dynamic strain in temperatures of -20°C. It features trapezoidal thread , and is designed to stand distortion and vibration .



Technical Data	Temperature range	Protection class	Material	Standard colour
DDSPP	-20°C to +80°C	IP 68-5 bar	Body : Polyamide Sealing : EPDM	RAL 9005 black

Seal hole	Threaded entry PG	Cat .No	Clamping range mm	Wrench size mm	C mm	D mm	Packing unit pieces
	7	DDSPPY4D-7	3-6.5	15	32	8	100
	9	DDSPPY4D-9	4-8	19	36	8	100
	11	DDSPPY4D-11	5-10	22	38	8	100
	13.5	DDSPPY4D-13.5	6-12	24	41	9	100
	16	DDSPPY4D-16	10-14	27	44	10	50
	21	DDSPPY4D-21	13-18	32	49	11	50
	29	DDSPPY4D-29	18-25	42	56	11	25
	36	DDSPPY4D-36	22-32	53	66	13	10
	42	DDSPPY4D-42	32-38	60	68	13	5
	48	DDSPPY4D-48	37-44	65	69	14	5

Seal hole	Threaded entry PG	Cat .No	Clamping range mm	Wrench size mm	C mm	D mm	Packing unit pieces
	7	DDSPPY5D-7	3-6.5	15	32	8	100
	9	DDSPPY5D-9	4-8	19	36	8	100
	11	DDSPPY5D-11	5-10	22	38	8	100
	13.5	DDSPPY5D-13.5	6-12	24	41	9	100
	16	DDSPPY5D-16	10-14	27	44	10	50
	21	DDSPPY5D-21	13-18	32	49	11	50
	29	DDSPPY5D-29	18-25	42	56	11	25
	36	DDSPPY5D-36	22-32	53	66	13	10
	42	DDSPPY5D-42	32-38	60	68	13	5
	48	DDSPPY5D-48	37-44	65	69	14	5

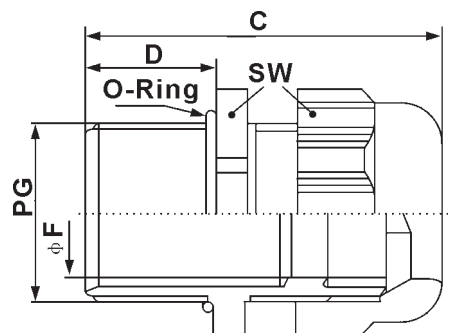
Seal hole	Threaded entry PG	Cat .No	Clamping range mm	Wrench size mm	C mm	D mm	Packing unit pieces
	7	DDSPPY6D-7	3-6.5	15	32	8	100
	9	DDSPPY6D-9	4-8	19	36	8	100
	11	DDSPPY6D-11	5-10	22	38	8	100
	13.5	DDSPPY6D-13.5	6-12	24	41	9	100
	16	DDSPPY6D-16	10-14	27	44	10	50
	21	DDSPPY6D-21	13-18	32	49	11	50
	29	DDSPPY6D-29	18-25	42	56	11	25
	36	DDSPPY6D-36	22-32	53	66	13	10
	42	DDSPPY6D-42	32-38	60	68	13	5
	48	DDSPPY6D-48	37-44	65	69	14	5

# Plastic cable glands

## Explosion proof

### DDSPP

This cable gland is made of be used in areas where explosion might be a risk , requiring a class E security . It is also suitable to be used in the chemical and petrochemical industry . It is also safe from freeze and dynamic strain in temperatures of -20°C. It features trapezoidal thread , and is designed to stand distortion and vibration .



Technical Data	Temperature range	Protection class	Material	Standard colour
DDSPP	-20°C to +80°C	IP 68-5 bar	Body : Polyamide Sealing : EPDM	RAL 9005 black

Seal hole	Threaded entry PG	Cat .No	Clamping range mm	Wrench size mm	C mm	D mm	Packing unit pieces
	7	DDSPPY7D-7	3-6.5	15	32	8	100
	9	DDSPPY7D-9	4-8	19	36	8	100
	11	DDSPPY7D-11	5-10	22	38	8	100
	13.5	DDSPPY7D-13.5	6-12	24	41	9	100
	16	DDSPPY7D-16	10-14	27	44	10	50
	21	DDSPPY7D-21	13-18	32	49	11	50
	29	DDSPPY7D-29	18-25	42	56	11	25
	36	DDSPPY7D-36	22-32	53	66	13	10
	42	DDSPPY7D-42	32-38	60	68	13	5
	48	DDSPPY7D-48	37-44	65	69	14	5

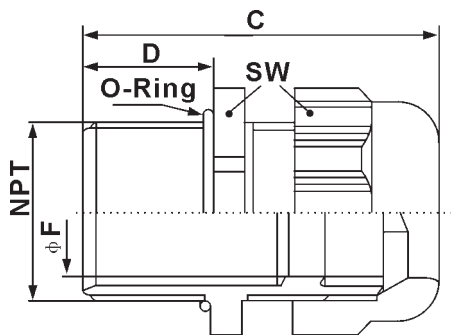
Seal hole	Threaded entry PG	Cat .No	Clamping range mm	Wrench size mm	C mm	D mm	Packing unit pieces
	7	DDSPPY8D-7	3-6.5	15	32	8	100
	9	DDSPPY8D-9	4-8	19	36	8	100
	11	DDSPPY8D-11	5-10	22	38	8	100
	13.5	DDSPPY8D-13.5	6-12	24	41	9	100
	16	DDSPPY8D-16	10-14	27	44	10	50
	21	DDSPPY8D-21	13-18	32	49	11	50
	29	DDSPPY8D-29	18-25	42	56	11	25
	36	DDSPPY8D-36	22-32	53	66	13	10
	42	DDSPPY8D-42	32-38	60	68	13	5
	48	DDSPPY8D-48	37-44	65	69	14	5

Seal hole	Threaded entry PG	Cat .No	Clamping range mm	Wrench size mm	C mm	D mm	Packing unit pieces
	7	DDSPPLD-7	3-6.5	15	32	8	100
	9	DDSPPLD-9	4-8	19	36	8	100
	11	DDSPPLD-11	5-10	22	38	8	100
	13.5	DDSPPLD-13.5	6-12	24	41	9	100
	16	DDSPPLD-16	10-14	27	44	10	50
	21	DDSPPLD-21	13-18	32	49	11	50
	29	DDSPPLD-29	18-25	42	56	11	25
	36	DDSPPLD-36	22-32	53	66	13	10
	42	DDSPPLD-42	32-38	60	68	13	5
	48	DDSPPLD-48	37-44	65	69	14	5

## Special plastic thread

### DBSPN

This cable gland features conical NPT thread . Other threads like UNF or PF threads can be made on request . It can also be made in various colours upon request , or the standard gray and black . It features SD dust seal , DV sealing plug , and DIX multiple seal regardless of connection thread type .



Technical Data	Temperature range	Protection class	Material	Standard colour
DBSPN	-20°C to +80°C	IP 68 bar	Body : Polyamide Sealing : Neoprene	RAL 7001 silver grey RAL 9005 black

Seal hole	Threaded entry NPT	Cat .No	Clamping range mm	Wrench size mm	C mm	D mm	Packing unit pieces
	3/8"	DBSPNNN-3/8	3.5-8	19	43	15	100
	1/2"	DBSPNNN-3/8	5-12	24	45	13	100
	3/4"	DBSPNNN-3/8	13-18	33	53	15	50
	1"	DBSPNNN-3/8	19-25.4	42	60	15	25

Seal hole	Threaded entry NPT	Cat .No	Clamping range mm	Wrench size mm	C mm	D mm	Packing unit pieces
	3/8"	DBSPNY2D-3/8	3.5-8	19	43	15	100
	1/2"	DBSPNY2D-3/8	5-12	24	45	13	100
	3/4"	DBSPNY2D-3/8	13-18	33	53	15	50
	1"	DBSPNY2D-3/8	19-25.4	42	60	15	25

Seal hole	Threaded entry NPT	Cat .No	Clamping range mm	Wrench size mm	C mm	D mm	Packing unit pieces
	3/8"	DBSPNY3D-3/8	3.5-8	19	43	15	100
	1/2"	DBSPNY3D-3/8	5-12	24	45	13	100
	3/4"	DBSPNY3D-3/8	13-18	33	53	15	50
	1"	DBSPNY3D-3/8	19-25.4	42	60	15	25

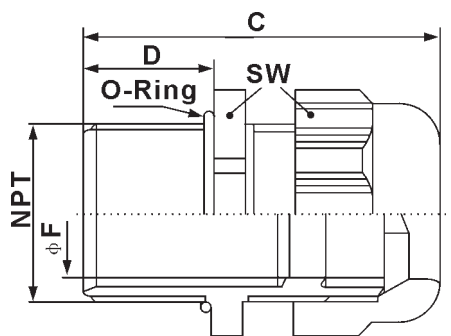
Seal hole	Threaded entry NPT	Cat .No	Clamping range mm	Wrench size mm	C mm	D mm	Packing unit pieces
	3/8"	DBSPNY4D-3/8	3.5-8	19	43	15	100
	1/2"	DBSPNY4D-3/8	5-12	24	45	13	100
	3/4"	DBSPNY4D-3/8	13-18	33	53	15	50
	1"	DBSPNY4D-3/8	19-25.4	42	60	15	25

# Plastic cable glands

## Special plastic thread

### DBSPN

This cable gland features conical NPT thread . Other threads like UNF or PF threads can be made on request . It can also be made in various colours upon request , or the standard grey and black . It features SD dust seal , DV sealing plug , and DIX multiple seal insert regardless of connection thread type .



Technical Data	Temperature range	Protection class	Material	Standard colour
DBSPN	-20°C to +80°C	IP 68 bar	Body : Polyamide Sealing : Neoprene	RAL 7001 silver grey RAL 9005 black

Seal hole	Threaded entry NPT	Cat .No	Clamping range mm	Wrench size mm	C mm	D mm	Packing unit pieces
	3/8"	DBSPNY5D-3/8	3.5-8	19	43	15	100
	1/2"	DBSPNY5D-3/8	5-12	24	45	13	100
	3/4"	DBSPNY5D-3/8	13-18	33	53	15	50
	1"	DBSPNY5D-3/8	19-25.4	42	60	15	25

Seal hole	Threaded entry NPT	Cat .No	Clamping range mm	Wrench size mm	C mm	D mm	Packing unit pieces
	3/8"	DBSPNY6D-3/8	3.5-8	19	43	15	100
	1/2"	DBSPNY6D-3/8	5-12	24	45	13	100
	3/4"	DBSPNY6D-3/8	13-18	33	53	15	50
	1"	DBSPNY6D-3/8	19-25.4	42	60	15	25

Seal hole	Threaded entry NPT	Cat .No	Clamping range mm	Wrench size mm	C mm	D mm	Packing unit pieces
	3/8"	DBSPNY7D-3/8	3.5-8	19	43	15	100
	1/2"	DBSPNY7D-3/8	5-12	24	45	13	100
	3/4"	DBSPNY7D-3/8	13-18	33	53	15	50
	1"	DBSPNY7D-3/8	19-25.4	42	60	15	25

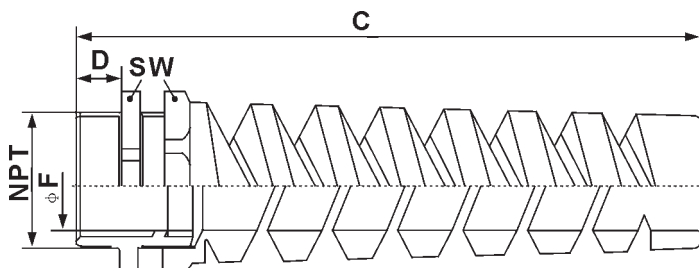
Seal hole	Threaded entry NPT	Cat .No	Clamping range mm	Wrench size mm	C mm	D mm	Packing unit pieces
	3/8"	DBSPNY8D-3/8	3.5-8	19	43	15	100
	1/2"	DBSPNY8D-3/8	5-12	24	45	13	100
	3/4"	DBSPNY8D-3/8	13-18	33	53	15	50
	1"	DBSPNY8D-3/8	19-25.4	42	60	15	25

Seal hole	Threaded entry NPT	Cat .No	Clamping range mm	Wrench size mm	C mm	D mm	Packing unit pieces
	3/8"	DBSPNLD-3/8	3.5-8	19	43	15	100
	1/2"	DBSPNLD-3/8	5-12	24	45	13	100
	3/4"	DBSPNLD-3/8	13-18	33	53	15	50
	1"	DBSPNLD-3/8	19-25.4	42	60	15	25

## Special plastic thread

### DDAPN

This device prevents bending of cables, thus eliminates movement of cables around the device it goes on. This is a very important safety feature for devices with moving or revolving parts, and it is crucial in order for the setup to operate in many cases. It can also be seen used on numbers of handheld devices. The spiral guards featured on this cable gland further prevents conductor break, thus reduces chance of failure.



Technical Data	Temperature range	Protection class	Material	Standard colour
DDAPN	-20°C to +80°C	IP 68 bar	Body : Polyamide Sealing : Neoprene	RAL 7001 silver grey

Seal hole	Threaded entry NPT	Cat .No	Clamping range mm	Wrench size mm	C mm	D mm	Packing unit pieces
	3/8"	DDAPNNN-3/8	3.5-8	19	43	15	100
	1/2"	DDAPNNN-1/2	5-12	24	45	13	100
	3/4"	DDAPNNN-3/4	13-18	33	53	15	50

Seal hole	Threaded entry NPT	Cat .No	Clamping range mm	Wrench size mm	C mm	D mm	Packing unit pieces
	3/8"	DDAPNY2D-3/8	3.5-8	19	43	15	100
	1/2"	DDAPNY2D-1/2	5-12	24	45	13	100
	3/4"	DDAPNY2D-3/4	13-18	33	53	15	50

Seal hole	Threaded entry NPT	Cat .No	Clamping range mm	Wrench size mm	C mm	D mm	Packing unit pieces
	3/8"	DDAPNY3D-3/8	3.5-8	19	43	15	100
	1/2"	DDAPNY3D-1/2	5-12	24	45	13	100
	3/4"	DDAPNY3D-3/4	13-18	33	53	15	50

Seal hole	Threaded entry NPT	Cat .No	Clamping range mm	Wrench size mm	C mm	D mm	Packing unit pieces
	3/8"	DDAPNY4D-3/8	3.5-8	19	43	15	100
	1/2"	DDAPNY4D-1/2	5-12	24	45	13	100
	3/4"	DDAPNY4D-3/4	13-18	33	53	15	50

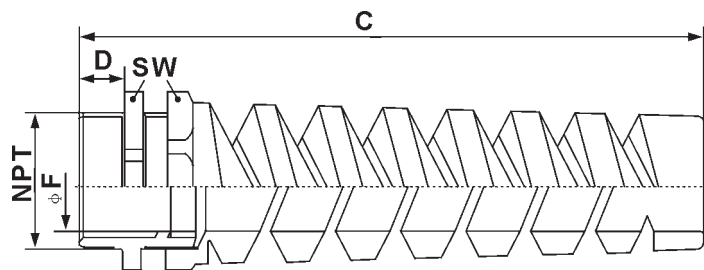


# Plastic cable glands

## Special plastic thread

### DAPPN

This device prevents bending of cables, thus eliminates movement of cables around the device it goes on. This is a very important safety feature for devices with moving or revolving parts, and it is crucial in order for the setup to operate in many cases. It can also be seen used on numbers of handheld devices. The spiral guards featured on this cable gland further prevents conductor break, thus reduces chance of failure.



Technical Data	Temperature range	Protection class	Material	Standard colour
DAPPN	-20°C to +80°C	IP 68 bar	Body : Polyamide Sealing : Neoprene	RAL 7001 silver grey

Seal hole	Threaded entry NPT	Cat .No	Clamping range mm	Wrench size mm	C mm	D mm	Packing unit pieces
	3/8"	DAPPNY5D-3/8	3.5-8	19	43	15	100
	1/2"	DAPPNY5D-1/2	5-12	24	45	13	100
	3/4"	DAPPNY5D-3/4	13-18	33	53	15	50

Seal hole	Threaded entry NPT	Cat .No	Clamping range mm	Wrench size mm	C mm	D mm	Packing unit pieces
	3/8"	DAPPNY6D-3/8	3.5-8	19	43	15	100
	1/2"	DAPPNY6D-1/2	5-12	24	45	13	100
	3/4"	DAPPNY6D-3/4	13-18	33	53	15	50

Seal hole	Threaded entry NPT	Cat .No	Clamping range mm	Wrench size mm	C mm	D mm	Packing unit pieces
	3/8"	DAPPNY7D-3/8	3.5-8	19	43	15	100
	1/2"	DAPPNY7D-1/2	5-12	24	45	13	100
	3/4"	DAPPNY7D-3/4	13-18	33	53	15	50

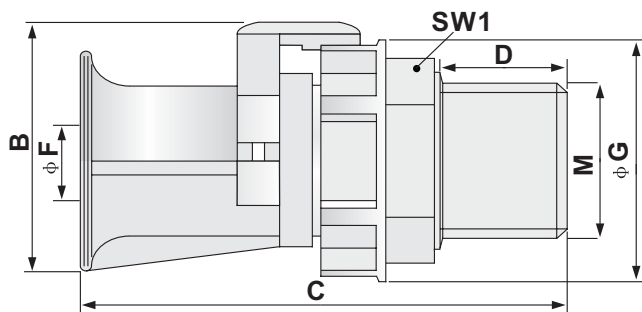
Seal hole	Threaded entry NPT	Cat .No	Clamping range mm	Wrench size mm	C mm	D mm	Packing unit pieces
	3/8"	DAPPNY8D-3/8	3.5-8	19	43	15	100
	1/2"	DAPPNY8D-1/2	5-12	24	45	13	100
	3/4"	DAPPNY8D-3/4	13-18	33	53	15	50

Seal hole	Threaded entry NPT	Cat .No	Clamping range mm	Wrench size mm	C mm	D mm	Packing unit pieces
	3/8"	DAPPNLD-3/8	3.5-8	19	43	15	100
	1/2"	DAPPNLD-1/2	5-12	24	45	13	100
	3/4"	DAPPNLD-3/4	13-18	33	53	15	50

## Explosion proof

### RATPM

This gland is used for devices where insertion parts for cable needs to be protection against lighting and explosion . To protect against distortion , the clamp can be locked in eight different positions .



Technical Data	Temperature range	Protection class	Material	Standard colour
RATPM	-20°C to +85°C	IP 54 within the clamping range stated	Body : Polyamide Sealing : Neoprene Outer thread : Brass	black

Threaded entry M	Cat .No	Clamping range mm	Wrench size mm	C mm	D mm	G mm	B mm	Packing unit pieces
20×1.5	RATPMNN-20	8-11	27	82	14	40	20.5-24.5	5
25×1.5	RATPMNN-25	8-11	27	82	14	40	20.5-24.5	5
32×1.5	RATPMNN-32	12-19	36	98	15	46	26-30	5
40×1.5	RATPMNN-40	18-28	46	121	18	65	32-39	5

### RATPP

This gland is used for devices where insertion parts for cable needs to be protection against lighting and explosion . To protect against distortion , the clamp can be locked in eight different positions .



Technical Data	Temperature range	Protection class	Material	Standard colour
RATPP	-20°C to +85°C	IP 54 within stipulated the damping range	Body : Polyamide Sealing : Neoprene Outer thread : Brass	black

Threaded entry M	Cat .No	Clamping range mm	Wrench size mm	C mm	D mm	G mm	B mm	Packing unit pieces
20×1.5	RATPPNN-20	8-11	27	82	14	40	20.5-24.5	5
25×1.5	RATPPNN-25	8-11	27	82	14	40	20.5-24.5	5
32×1.5	RATPPNN-32	12-19	36	98	15	46	26-30	5
40×1.5	RATPPNN-40	18-28	46	121	18	65	32-39	5

# Plastic cable glands

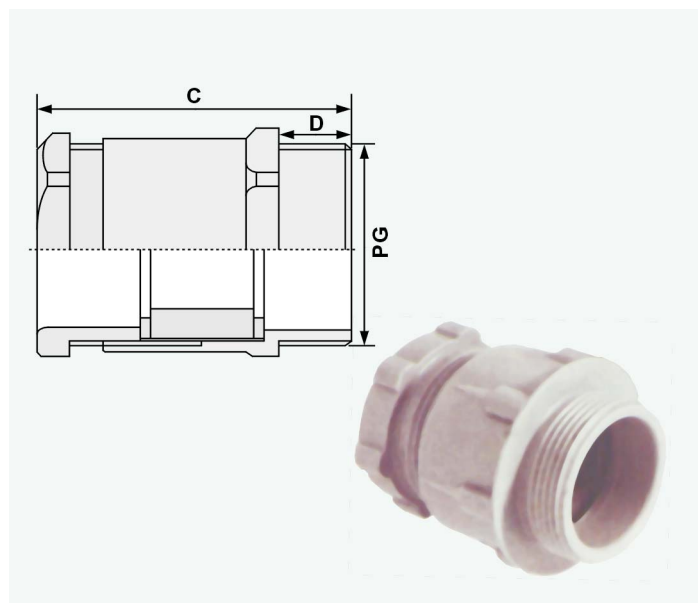
## Flat cable connection thread

### RBSPP

This cable gland is made to accept different types of cables . It is consisted of 5 parts , including a 2-part gland element, a unique seal insert , and two compression washers . The seal automatically fits around various cable dimensions , and only 1 seal is needed. It is possible to fit two cables in one gland .

#### Assembly instructions:

Assembly is facilitated if the special seal is bent slightly when being pushed on to the cable .

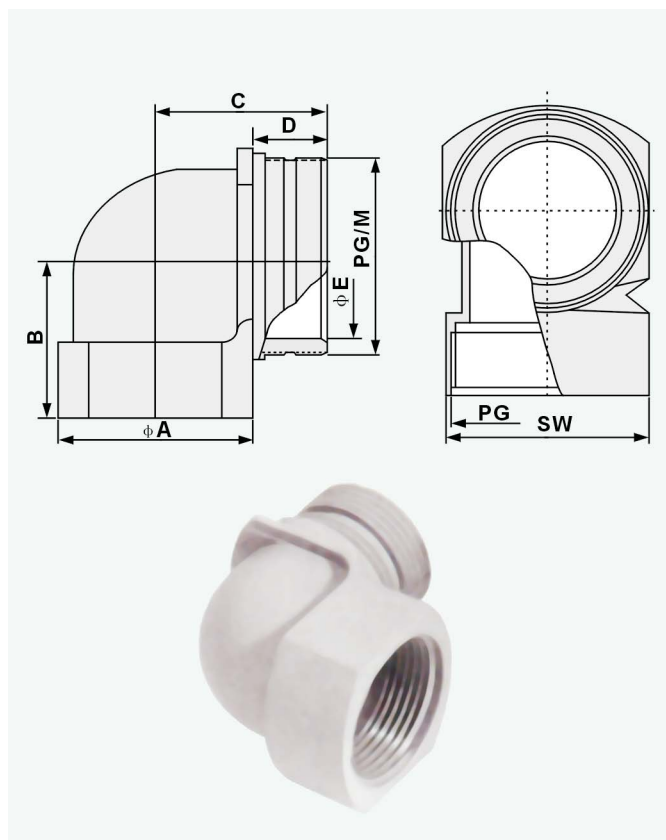


## Angle

### RAEPP

90° elbow

This plastic angle gland is used wherever cables have to run parallel to the housing wall . The gland is secured by a locknut . RAEPP can be combined with any cable gland , in particular with DASPM .



Technical Data	Temperature range	Protection class	Material	Standard colour
RBSPP	-20°C to +60°C	IP 54	Body : Polystyrene Sealing : Neoprene	RAL 7035 light grey

Threaded entry PG	Cat .No	Suitable for flat cable with min ./max	Cable thickness mm min ./max	Wrench size mm	C mm	D mm	Packing unit pieces
16	RBSPPNN-16	-/15	-/5	27/33	39.5	10	25
21	RBSPPNN-21	9/21	3/8	32/30	43	11	25
29	RBSPPNN-29	14/26	4/11.5	42/41	45	11	25
36	RBSPPNN-36	24/34	4/11.5	53/50	51	13	10
42	RBSPPNN-42	29/40	5/12	60/55	54	13	5
48	RBSPPNN-48	34/45	5/12	65/60	55	15	5

Technical Data	Temperature range	Protection class	Material	Standard colour
RAEPP	-20°C to +80°C	IP 55	Polyamide , reinforced glass fibre	RAL 7001 , silver grey

Threaded entry PG	Cat .No	Wrench size 1/2mm	A mm	B mm	C mm	D mm	φ E mm	Packing unit pieces
9	RAEPPNN-9	19	19	21	23	11	10	25
11	RAEPPNN-11	22	22	21.5	25	12	13	25
13.5	RAEPPNN-13.5	24	24	24	27	12	14	25
16	RAEPPNN-16	27	27	25	29.5	13	17	10
21	RAEPPNN-21	32	32	30	35	15	23	10
29	RAEPPNN-29	41	41	34	38.5	15	30	10

## Protective conduit system made of plastic

### NASPM

The conduit connector is a safety connector . Fitting the inner and outer sleeves can only be done when it is fitted in the correct sequence , which is a crucial safety element in many cases . The inner sleeve features a conduit thread that provides additional protection for conduit cables , protecting the conduit ends . The plastic sealing rings provides an excellent seal . Increased width across flats transmits the force used during assembly . It also resists tension and vibration . All this means a high quality connector between conduit and machine , along with a very easy assembly process .



Technical Data	Temperature range	Protection class	Material	Standard colour
NASPM	-10°C to +110°C	IP 65	Polypropylene	RAL 7001 , silver grey

Threaded entry M	Cat .No	Wrench size 1/2mm	Width F	C mm	D mm	Packing unit pieces
10×1.5	NASPMNN-10	16/18	6.0	40	10	50
12×1.5	NASPMNN-12	21/23	9.0	43	12	50
16×1.5	NASPMNN-16	24/27	13.0	43	12	50
20×1.5	NASPMNN-20	29/32	14.5	44	13	50
25×1.5	NASPMNN-25	36/40	19.5	50	13	25
32×1.5	NASPMNN-32	45/49	27.0	51	15	25
40×1.5	NASPMNN-40	53/58	36.0	51	15	25
50×1.5	NASPMNN-50	65/70	46.0	58	16	10

### NBSPM

This conduit gland is consisted of a rotatable upper part and a integral inner sleeve . It features a easy to grip outer surface , and metric connecting thread with hexagonal section . Once the upper part is screwed in , the protective conduit is tension free in the connector , meeting the requirements of VDE 0100 and 0113 . Inner surface is smooth and not damaging for the cable . The upper part allows independent swivelling for fitting.



Technical Data	Temperature range	Protection class	Material	Standard colour
NBSPM	-10°C to +110°C	IP 55	Polypropylene	RAL 7001 , silver grey

Threaded entry M	Cat .No	Wrench size mm	Boring mm	Overall length mm	Thread length mm	Packing unit pieces
12×1.5	NBSPMNN-12	16	5.5	38.0	10	50
16×1.5	NBSPMNN-16	19	9.5	39.5	10	50
20×1.5	NBSPMNN-20	22	11.5	42.0	10	50
25×1.5	NBSPMNN-25	27	14.5	48.0	11	50
32×1.5	NBSPMNN-32	35	19.5	58.0	12	25
40×1.5	NBSPMNN-40	45	27.0	59.0	12	25
50×1.5	NBSPMNN-50	54	35.5	62.5	12	25
63×1.5	NBSPMNN-63	65	46.0	68.0	15	10

## Assignment Conduit - Conduit Gland

### Protective conduit system made of plastic

#### NCSPM

The NCSPM conduit connector is constructed for easy mounting for hoses with smooth, corrugated or spiral surfaces. A membrane integrated into the sealing cap automatically adjusts to the surface. This special design allows an easy, simple and fast assembly by pushing-in the conduit and closing the cap nut.



Technical Data	Temperature range	Protection class	Material	Standard colour
NCSPM	-30°C to +125°C	IP 54	Polyamide	RAL 7001, silver grey

Threaded entry M	Cat. No	Wrench size mm	Boring mm	Overall length mm	Thread length mm	Width across / hexagon adapter / cap	Packing unit pieces
16×1.5	NCSPMNN-16	24/25	8.2	37	10.0	26.2/27.6	100
20×1.5	NCSPMNN-20	31/34	13.0	45	13.0	34.0/37.0	100
40×1.5	NCSPMNN-40	61/67	33.6	61	15.0	67.0/72.5	50
50×1.5	NCSPMNN-50	66/72	39.0	64	15.2	72.0/77.5	50

#### NBSPP

This conduit gland is consisted of a rotatable upper part and a integral inner sleeve. It features a easy to grip outer surface, and metric connecting thread with hexagonal section. Once the upper part is screwed in, the protective conduit is tension free in connector, meeting the requirements of VDE 0100 and 0113. Inner surface is smooth and not damaging for the cable. The upper part allows independent swivelling for fitting. Axial rotational movements are permitted.



Technical Data	Temperature range	Protection class	Material	Standard colour
NBSPP	-10°C to +110°C	IP 54	Plastic impact - resistant	RAL 7001, silver grey

Threaded entry PG	Cat. No	Inner diameter mm	Wrench size mm	C mm	D mm	Packing unit pieces
7	NBSPPNN-7	5.5	16	38.0	10	50
9	NBSPPNN-9	9.5	19	39.5	10	50
11	NBSPPNN-11	11.5	22	42.0	10	50
13.5	NBSPPNN-13.5	13.0	24	42.0	10	50
16	NBSPPNN-16	14.5	27	48.0	11	50
21	NBSPPNN-21	19.5	35	58.0	11	25
29	NBSPPNN-29	27.0	45	59.0	12	25
36	NBSPPNN-36	35.5	54	62.5	12	25
48	NBSPPNN-48	46.0	65	68.0	15	10

## Protective conduit system made of plastic

### NCSP

The NCSP conduit connector is constructed for easy mounting of hoses with smooth, corrugated or spiral surfaces. A membrane integrated into the sealing cap automatically adjusts to the surface. The special design allows an easy, simple and fast assembly by pushing-in the conduit and closing the cap nut. This ensures the protection type IP 54



Technical Data	Temperature range	Protection class	Material	Standard colour
NCSP	-30°C to +125°C	IP 54	Polyamide	RAL 7001, silver grey

Threaded entry PG	Cat. No	Diameter F mm	Wrench size mm	C mm	D mm	B mm	Outer diameter mm	Packing unit pieces
9	NCSPNN-9	11	24	26.6	8	27.7	12-18	100
11	NCSPNN-11	11	24	26.6	8	27.7	12-18	100
13.5	NCSPNN-13.5	15.7	30	37.5	8	34.6	18-22	100
16	NCSPNN-16	18	30	37.5	8	34.6	18-22	100
21	NCSPNN-21	20	41	40.5	8	47.3	26-29	50
29	NCSPNN-29	22	46	40.5	8	53.1	33-37	50
36	NCSPNN-36	41	50	43	8	57.7	42-46	50
42	NCSPNN-42	51	65	45	8	75	47-52	25
48	NCSPNN-48	51	65	45	8	75	52-57	25

### NASPP

The conduit connector is a safety connector. Fitting the inner and outer sleeves can only be done when it is fitted in the correct sequence, which is a crucial safety element in many cases. The inner sleeve features a conduit thread that provides additional protection for conduit cables, protecting the conduit ends. The plastic sealing rings provides an excellent seal. Increased width across flats transmits the force used during assembly. It also resists tension and vibration. All this means a high quality connector between conduit and machine, along with a very easy assembly process.



Technical Data	Temperature range	Protection class	Material	Standard colour
NASPP	-30°C to +125°C	IP 54	Polyamide	RAL 7001, silver grey

Threaded entry PG	Cat. No	F mm	Wrench size mm	C mm	D mm	Packing unit pieces
7	NASPPNN-7	6	16/18	40	10	100
9	NASPPNN-9	9	21/23	41	10	100
11	NASPPNN-11	11	24/27	41	10	100
13.5	NASPPNN-13.5	13	26/29	41	10	100
16	NASPPNN-16	14.5	29/32	42	11	50
21	NASPPNN-21	19.5	36/40	48	11	50
29	NASPPNN-29	27	45/49	48	12	50
36	NASPPNN-36	36	53/63	48	12	25
48	NASPPNN-48	46	65/70	57	15	25

## Assignment Conduit - Conduit Gland

### ■ PVC spiral conduit system with plastic spiral

#### ● NDSPM

The connectors are consisted of a cap nut , clamping seal , centre section , internal shoulder , and counter nut . Pushing the cap nut on the conduit makes the conduit connection . The clamping seal is places 1 length behind the end of the conduit , letting it projects from the centre section during preliminary sealing . The conduit is now fed into the centre section and the cap nut screwed on firmly .



Technical Data	Temperature range	Protection class	Material	Standard colour
NDSPM	-20°C to +60°C	IP 53	Body : Polypropylene Seal : Polyamide	RAL 7001 , silver grey

Threaded entry M	Cat .No	Drill mm	Packing unit pieces
12×1.5	NDSPMNN-12	8.0	50
16×1.5	NDSPMNN-16	10.0	50
20×1.5	NDSPMNN-20	13.5	50
25×1.5	NDSPMNN-25	17.5	50
32×1.5	NDSPMNN-32	21.0	25
40×1.5	NDSPMNN-40	32.0	25
50×1.5	NDSPMNN-50	35.5	25
63×1.5	NDSPMNN-63	47.5	25

#### ● NAEPM

The connectors are consisted of a cap nut , clamping seal , centre section , internal shoulder , and counter nut . Pushing the cap nut on the conduit makes the conduit connection . The clamping seal is places 1 length behind the end of the conduit , letting it projects from the centre section during preliminary sealing . The conduit is now fed into the centre section and the cap nut screwed on firmly .



Technical Data	Temperature range	Protection class	Material	Standard colour
NAEPM	-20°C to +60°C	IP 53	Body : Polypropylene Seal : Polyamide	RAL 7001 , silver grey

Threaded entry M	Cat .No	Boring mm	Packing unit pieces
12×1.5	NAEPMNN-12	10	50
16×1.5	NAEPMNN-16	12	50
20×1.5	NAEPMNN-20	16	50
25×1.5	NAEPMNN-25	20	50
32×1.5	NAEPMNN-32	25	50
40×1.5	NAEPMNN-40	32	25

## Assignment Conduit - Conduit Gland

### ■ PVC spiral conduit system with plastic spiral

#### ● NDSPP

The connectors are consisted of a cap nut , clamping seal , centre section , internal shoulder , and counter nut . Pushing the cap nut on the conduit makes the conduit connection . The clamping seal is places 1 length behind the end of the conduit , letting it projects from the centre section during preliminary sealing . The conduit is now fed into the centre section and the cap nut screwed on firmly .



Technical Data	Temperature range	Protection class	Material	Standard colour
NDSPP	-20°C to+60°C	IP 53	Body : Polypropylene Seal : Polyamide	RAL 7001 , silver grey

Threaded entry PG	Cat .No	Inner diameter mm	Packing unit pieces
7	NDSPPNN-7	8.0	50
9	NDSPPNN-9	10.0	50
11	NDSPPNN-11	14	50
13.5	NDSPPNN-13.5	15	50
16	NDSPPNN-16	19	50
21	NDSPPNN-21	23	50
29	NDSPPNN-29	26	25
36	NDSPPNN-36	33	25
42	NDSPPNN-42	38	25
48	NDSPPNN-48	47	25

#### ● NAEPP

The connectors are consisted of a cap nut , clamping seal , centre section , internal shoulder , and counter nut . Pushing the cap nut on the conduit makes the conduit connection . The clamping seal is places 1 length behind the end of the conduit , letting it projects from the centre section during preliminary sealing . The conduit is now fed into the centre section and the cap nut screwed on firmly .



Technical Data	Temperature range	Protection class	Material	Standard colour
NAEPP	-20°C to+60°C	IP 53	Body : Polypropylene Seal : Polyamide	RAL 7001 , silver grey

Threaded entry PG	Cat .No	Inner diameter mm	Packing unit pieces
7	NAEPPNN-7	8	50
9	NAEPPNN-9	10	50
11	NAEPPNN-11	14	50
13.5	NAEPPNN-13.5	15	50
16	NAEPPNN-16	19	50
21	NAEPPNN-21	23	50
29	NAEPPNN-29	26	25
36	NAEPPNN-36	33	25



## Assignment Conduit - Conduit Gland

### ■ Corrugated protective conduit system made of Polyamide

#### ● SASPM

Polyamide conduit connectors with metric connection thread in accordance to EN 50262 cable protective conduit for quick ,safe assembly .  
Disassembling is done by moving the sleeve.

#### ● SAEPM

The polyamide conduit connector as 90° elbow type with metric connection thread in accordance to EN 50262 .



Technical Data	Temperature range	Protection class	Material	Standard colour
SASPM	-30°C to +100°C	IP 67	Polyamide	RAL 7001 , silver grey

Threaded entry M	Cat .No	Outer diameter conduit	SW mm	Boring mm	Thread length mm	Packing unit pieces
10×1.5	SASPMNN-10	10.0	17.0	6.5	12	50
12×1.5	SASPMNN-12	13.0	20.0	8.0	12	50
16×1.5	SASPMNN-16	13.0	20.0	10.0	12	50
20×1.5	SASPMNN-20	15.8	23.0	12.0	13	50
25×1.5	SASPMNN-25	28.5	37.0	20.5	13	25
32×1.5	SASPMNN-32	34.5	44.0	27.5	15	25
40×1.5	SASPMNN-40	42.5	51.5	35.0	15	25
50×1.5	SASPMNN-50	54.5	65.5	45.0	16	10

Technical Data	Temperature range	Protection class	Material	Standard colour
SAEPM	-30°C to +100°C	IP 67	Polyamide	RAL 7001 , silver grey

Threaded entry M	Cat .No	Outer diameter conduit	SW mm	Boring mm	Thread length mm	Packing unit pieces
10×1.5	SAEPMNN-10	10.0	-	7.0	12	50
12×1.5	SAEPMNN-12	13.0	-	8.0	12	50
16×1.5	SAEPMNN-16	13.0	-	12.0	12	50
20×1.5	SAEPMNN-20	15.8	-	15.5	13	50
25×1.5	SAEPMNN-25	21.2	-	18.0	13	50
32×1.5	SAEPMNN-32	28.5	-	24.0	15	25
40×1.5	SAEPMNN-40	34.5	-	32.0	15	10
50×1.5	SAEPMNN-50	42.5	-	39.0	16	10
63×1.5	SAEPMNN-63	54.5	-	53.0	16	5

## Assignment Conduit - Conduit Gland

### ■ Corrugated protective conduit system made of Polyamide

#### ● SBSPM

Polyamide conduit connector with metric connection thread in accordance to EN 50262 . One piece plastic cable conduit gland with strain relief for corrugated conduits . Simple mounting with push-in-lock . Dismount by moving the lock .

#### ● SBSPP

Polyamide conduit connector with PG connection thread . Straight protective conduit connector for quick , secure assembly . One-piece connector with push-in closure . Easy to dismantle by rotating the locking sleeve .



Technical Data	Temperature range	Protection class	Material	Standard colour
SBSPM	-30°C to +100°C	IP 66	Polyamide	Grey

Threaded entry M	Cat .No	Wrench size mm	Clamping range mm	Boring mm	Thread length mm	Packing unit pieces
12×1.5	SBSPMNN-12	16	4-6.5	7	8	20
16×1.5	SBSPMNN-16	18	5-9.5	8	8	20
20×1.5	SBSPMNN-20	21	8-12.0	10	8	20
25×1.5	SBSPMNN-25	27	11-16.0	12	8	10
32×1.5	SBSPMNN-32	34	15-21.0	18	11	10
40×1.5	SBSPMNN-40	40	16-26.0	25	12	10
50×1.5	SBSPMNN-50	49	27-35.0	32	13	10
63×1.5	SBSPMNN-63	60	32-42.0	44	14	10

Technical Data	Temperature range	Protection class	Material	Standard colour
SBSPP	-30°C to +100°C	IP 66	Polyamide	Grey

Threaded entry PG	Cat .No	Wrench size mm	Boring mm	Thread length mm	Packing unit pieces
7	SBSPPN-7	15.5	7.0	10	50
9	SBSPPN-9	18.0	10.0	10	50
11	SBSPPN-11	21.0	12.5	10	50
13.5	SBSPPN-13.5	24.0	13.5	11	50
16	SBSPPN-16	27.0	17.0	12	50
21	SBSPPN-21	34.0	23.5	12	25
29	SBSPPN-29	40.0	30.5	12	25
36	SBSPPN-36	49.0	36.5	12	25
48	SBSPPN-48	60.0	48.5	15	10

## Assignment Conduit - Conduit Gland

### ■ Corrugated protective conduit system made of Polyamide

#### ● SBEP

Conduit connector with PG connection thread

This one-part conduit connector of halogen-free polyamide is especially suitable for mounting protective cable conduits with parallel grooves .

Advantages of this special construction :

- quick and easy one- hand mounting with plug-in system .
- can be mounted tightly ( high packing density ) , three versions available ( straight , 90° and 45° angles ) .
- high tensile strength
- high operating security ( especially in robot constructions ) .
- protective conduit can be rotated in the gland .
- environment -friendly , the gland body can be 100% recycled .
- optimum results for good prices .



Technical Data	Temperature range	Protection class	Material	Standard colour
SBEP	-30°C to +100°C	IP 66	PA	RAL 7001 silver grey

Threaded entry PG	Cat .No	Wrench size mm	Inner diameter mm	Packing unit pieces
<b>SBEP straight</b>				
7	SBEPNN-7	15	8	50
9	SBEPNN-9	19	10.5	50
11	SBEPNN-11	21	13	50
13.5	SBEPNN-13.5	27	15	50
16	SBEPNN-16	27	16.5	50
21	SBEPNN-21	36	23	50
29	SBEPNN-29	40	28	25
36	SBEPNN-36	50	38	25
48	SBEPNN-48	65	50	10
<b>SBEP 90° W</b>				
9	SBEPNN-9-90	19	10.5	50
11	SBEPNN-11-90	21	13	50
13.5	SBEPNN-13.5-90	27	15	50
16	SBEPNN-16-90	27	16.5	50
21	SBEPNN-21-90	36	23	50
29	SBEPNN-29-90	40	28	25
36	SBEPNN-36-90	50	38	25
48	SBEPNN-48-90	65	50	10
<b>SBEP 45° W</b>				
21	SBEPNN-21-45	36	23	50
29	SBEPNN-29-45	40	28	25
36	SBEPNN-36-45	50	38	25
48	SBEPNN-48-45	65	50	10

## Assignment Conduit - Conduit Gland

### ■ Corrugated protective conduit system made of Polyamide

#### ● SCSP

Polyamide conduit connector with PG connection thread  
One piece plastic cable conduit gland with strain relief for corrugated conduits . Simple mounting with push- in lock . Disassemble by moving the lock .



#### ● SCEPP

Polyamide conduit connector in PG performance.  
Protective conduit connector , 90° angle design , but in the form of a 90° elbow with PG connecting thread .



Technical Data	Temperature range	Protection class	Material	Standard colour
SCSP	-30°C to +100°C	IP 66	Polyamide	Grey

Threaded entry PG	Cat .No	Wrench size mm	Clamping range mm	Boring mm	Thread length mm	Packing unit pieces
7	SCSPNN-7	16	3-6.5	7	8	20
9	SCSPNN-9	18	4-8	8	8	20
11	SCSPNN-11	21	5-10	10	8	20
13.5	SCSPNN-13.5	27	6-12	12	8	20
16	SCSPNN-16	27	10-14	14	10	10
21	SCSPNN-21	34	13-18	18	11	10
29	SCSPNN-29	40	18-25	25	12	10
36	SCSPNN-36	49	22-32	32	13	10
48	SCSPNN-48	60	34-44	44	14	10

Technical Data	Temperature range	Protection class	Material	Standard colour
SCEPP	-30°C to +100°C	IP 66	Polyamide	Grey

Threaded entry PG	Cat .No	Boring mm	Thread length mm	Packing unit pieces
9	SCEPPNN-9	12.0	10	50
11	SCEPPNN-11	15.5	10	50
13.5	SCEPPNN-13.5	13.5	11	50
16	SCEPPNN-16	18.0	12	50
21	SCEPPNN-21	24.0	12	25
29	SCEPPNN-29	32.0	12	10

## Assignment Conduit - Conduit Gland

### ■ Corrugated protective conduit system made of Polyamide

#### ● SDEPM

Conduit connector , straight with metric connection thread according to EN 50262

The unique design includes a rapid assembly plug-in system , and a tension-proof connection which allows the conduit to rotate without torsional stress .

#### ● SEEPM

Conduit connector 90° elbow

The unique design features a rapid assembly plug-in system , and a tension-proof connection which allows the conduit to rotate without torsional stress .

#### ● SFEPM

Counter nut

The unique design features a rapid assembly plug-in system , and a tension- proof connection which allows the conduit to rotate without torsional stress .



Technical Data	Temperature range	Protection class	Material	Standard colour
SDEPM SEEPM SFEPM	-40°C to +100°C	IP 65	Polyamide	RAL 9005 , black

Threaded entry M	Cat .No	Overall length mm	Thread length mm	Packing unit pieces
<b>SDEPM</b>				
12×1.5	SDEPMNN-12	26.3	8.0	100
16×1.5	SDEPMNN-16	29.4	12.5	100
20×1.5	SDEPMNN-20	36.0	12.0	50
25×1.5	SDEPMNN-25	45.4	15.0	50
32×1.5	SDEPMNN-32	47.0	15.0	30
40×1.5	SDEPMNN-40	53.0	15.0	20
50×1.5	SDEPMNN-50	57.4	15.0	16
63×1.5	SDEPMNN-63	74.0	20.0	6
<b>SEEPM</b>				
12×1.5	SEEPMNN-12	-	8.0	50
16×1.5	SEEPMNN-16	-	10.5	20
20×1.5	SEEPMNN-20	-	12.0	20
25×1.5	SEEPMNN-25	-	15.0	10
32×1.5	SEEPMNN-32	-	15.0	10
<b>SFEPM</b>				
12×1.5	SFEPMNN-12	-	-	200
16×1.5	SFEPMNN-16	-	-	200
20×1.5	SFEPMNN-20	-	-	200
25×1.5	SFEPMNN-25	-	-	100
32×1.5	SFEPMNN-32	-	-	100
40×1.5	SFEPMNN-40	-	-	25
50×1.5	SFEPMNN-50	-	-	25

## Assignment Conduit - Conduit Gland

### ■ Corrugated protective conduit system made of Polyamide

- SDEPP
- SEEPP
- SFEPP

The special design allows rapid assembly by means of a plug system, in which the retaining ring slots into the conduit profile - a tension-resistant connection, which allows the cable to rotate and thus causes no torsional load on the cables - rapid loosening of the conduit connection by means of a quick-closure.

**SDEPP:**

Straight conduit connector with external thread.

**SEEPP**

Angle conduit connector 90°

**SFEPP**

Counter nuts



Technical Data	Temperature range	Protection class	Material	Standard colour
SDEPP SEEPP SFEPP	-40°C to +100°C	IP 65	Polyamide	RAL 9005, black

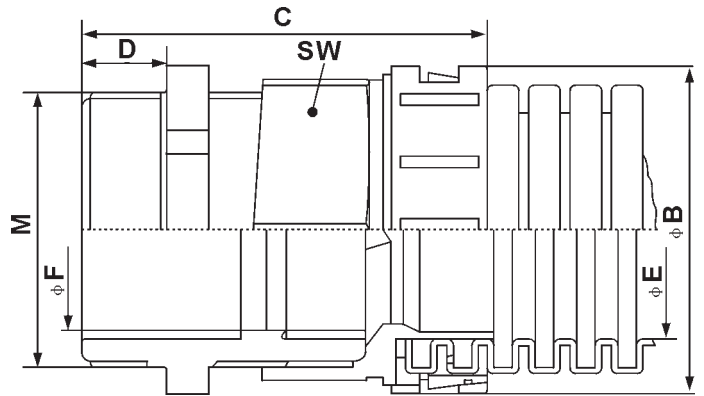
Threaded entry PG	Cat .No	Thread length mm	Coupling length mm	Hole distance width/ length mm	Packing unit pieces
<b>SDEPP</b>					
7	SDEPPNN-7	8	26	-	100
9	SDEPPNN-9	8	26	-	100
11	SDEPPNN-11	10	29	-	100
13.5	SDEPPNN-13.5	12	36	-	100
16	SDEPPNN-16	14	45	-	50
21	SDEPPNN-21	15	47	-	30
29	SDEPPNN-29	15	53	-	20
36	SDEPPNN-36	15	57	-	16
48	SDEPPNN-48	20	74	-	8
<b>SEEPP</b>					
7	SEEPPNN-7	8	36	-	20
9	SEEPPNN-9	8	36	-	20
11	SEEPPNN-11	10	43	-	20
13.5	SEEPPNN-13.5	12	51	-	20
16	SEEPPNN-16	14	64	-	10
21	SEEPPNN-21	15	75	-	10
<b>SFEPP</b>					
9	SFEPPNN-9	-	-	-	100
11	SFEPPNN-11	-	-	-	100
13.5	SFEPPNN-13.5	-	-	-	100
16	SFEPPNN-16	-	-	-	100
21	SFEPPNN-21	-	-	-	50
29	SFEPPNN-29	-	-	-	25
36	SFEPPNN-36	-	-	-	25

## Assignment Conduit - Conduit Gland

### ■ Corrugated protective conduit system made of Polyamide

#### ● SESPM

This conduit connector has been specially designed for applications in which both the cable and the protective conduit must be sealed and strain relieved where they enter the housing. The SESPM, with its low overall height and its plug system, ensures this safety simply and rapidly. The protective conduit can be connected and disconnected without using tools and with a few moves of your hand. Push in the conduit as far as the catch, turn the securing sleeve through 90° to the end position and it is done. The SESPM is based on the tried and tested cable gland. The cable is therefore sealed (IP 68) and strain-relieved. The newly developed upper part of the SESPM consists of a plug-in piece for accepting the conduit with retaining catch and a seal and securing sleeve.

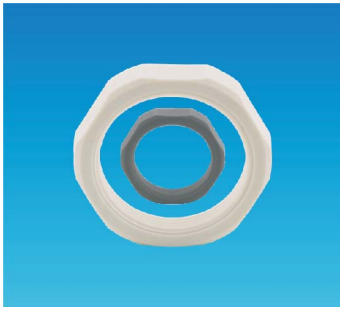


Technical Data	Material	Standard colour	Note
SESPM	PA 6	black	SESPM can be quickly mounted and dismantled by its new plug system

Threaded entry M	Cat .No	Clamping range mm	Wrench size mm	C mm	D mm	Packing unit pieces
16×1.5	SESPMNN-16	3.5-8	19	49.8	12	50
20×1.5	SESPMNN-20	5-12	24	53.6	13	50
25×1.5	SESPMNN-25	9-14	27	59.1	13	50

■ Nuts

● M Style



Material : PA 66

Threaded entry metric	Cat.No		Height mm	Spanner sizes mm	Std.Pkg pcs
	Black	Grey			
M12×1.5	PN-M12-B	PN-M12-G	5	18	50
M16×1.5	PN-M16-B	PN-M16-G	7	22	50
M20×1.5	PN-M20-B	PN-M20-G	8	27	50
M25×1.5	PN-M25-B	PN-M25-G	8.5	33	50
M32×1.5	PN-M32-B	PN-M32-G	8.5	41	10
M40×1.5	PN-M40-B	PN-M40-G	10	50	10
M50×1.5	PN-M50-B	PN-M50-G	10	62	10
M63×1.5	PN-M63-B	PN-M63-G	11	75	10

● NPT Style



Material : PA 66

Threaded entry metric	Cat.No		Height mm	Spanner sizes mm	Std.Pkg pcs
	Black	Grey			
NPT 1/4"	PN-NPT13-B	PN-NPT13-G	5.5	19	50
NPT 3/8"	PN-NPT17-B	PN-NPT17-G	6	22	50
NPT 1/2"	PN-NPT21-B	PN-NPT21-G	6.5	27	50
NPT 3/4"	PN-NPT26-B	PN-NPT26-G	6.5	33	50
NPT 1"	PN-NPT33-B	PN-NPT33-G	7	43	10
NPT 1 1/4"	PN-NPT42-B	PN-NPT42-G	8	55	10
NPT 1 1/2"	PN-NPT48-B	PN-NPT48-G	8	57	10
NPT 2"	PN-NPT60-B	PN-NPT60-G	9	70	10

● PG Style



Material : PA 66

Explain: P means material is PA 66. N means it is Nut . B indicates it is black and G indicates it is gray.

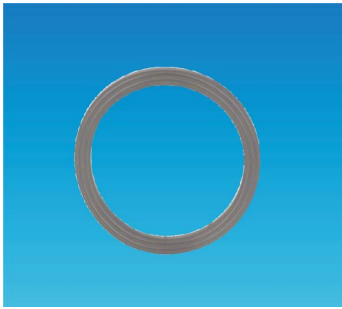
Threaded entry metric	Cat.No		Height mm	Spanner sizes mm	Std.Pkg pcs
	Black	Grey			
PG 7	PN-PG7-B	PN-PG7-G	4.5	17	50
PG 9	PN-PG9-B	PN-PG9-G	6	22	50
PG 11	PN-PG11-B	PN-PG11-G	6	24	50
PG 13.5	PN-PG13.5-B	PN-PG13.5-G	6	27	50
PG 16	PN-PG16-B	PN-PG16-G	6.5	30	50
PG 21	PN-PG21-B	PN-PG21-G	7	36	50
PG 29	PN-PG29-B	PN-PG29-G	8	46	10
PG 36	PN-PG36-B	PN-PG36-G	8	57	10
PG 42	PN-PG42-B	PN-PG42-G	9	64	10
PG 48	PN-PG48-B	PN-PG48-G	9	70	10



# Accessories

## ■ washer

### ● M style



Material : EPDM

Cat.No	For sizes	I.D. mm	O.D. mm	Thickness mm	Std.Pkg pcs
EW-M12	M12	12	20	1.4	50
EW-M16	M16	16	24	1.7	50
EW-M20	M20	20	28	1.7	50
EW-M25	M25	25	35	1.7	50
EW-M32	M32	32	44	1.7	10
EW-M40	M40	40	52	1.8	10
EW-M50	M50	50	65	1.8	10
EW-M63	M63	63	80	1.8	10

### ● NPT style



Material : EPDM

Cat.No	For sizes	I.D. mm	O.D. mm	Thickness mm	Std.Pkg pcs
EW-NPT 1/4	NPT 1/4	13	18	1.4	50
EW-NPT 3/8	NPT 3/8	16	24	1.7	50
EW-NPT 1/2	NPT 1/2	20	28	1.7	50
EW-NPT 3/4	NPT 3/4	26	34	1.7	50
EW-NPT 1	NPT 1	33	43	1.7	10
EW-NPT 1 1/4	NPT 1 1/4	42	53	1.8	10

### ● PG style



Material : EPDM

Explain E means material (EPDM) W means washer.

Cat.No	For sizes	I.D. mm	O.D. mm	Thickness mm	Std.Pkg pcs
EW-PG7	PG7	12.3	16	1.4	50
EW-PG9	PG9	15	20	1.4	50
EW-PG11	PG11	18	26	1.7	50
EW-PG13.5	PG13.5	20	28	1.7	50
EW-PG16	PG16	22.5	29.5	1.7	50
EW-PG21	PG21	28	35.5	1.7	50
EW-PG29	PG29	37	45	1.8	10
EW-PG36	PG36	47	54	1.8	10
EW-PG42	PG42	54	65	1.8	10
EW-PG48	PG48	59	70	1.8	10